

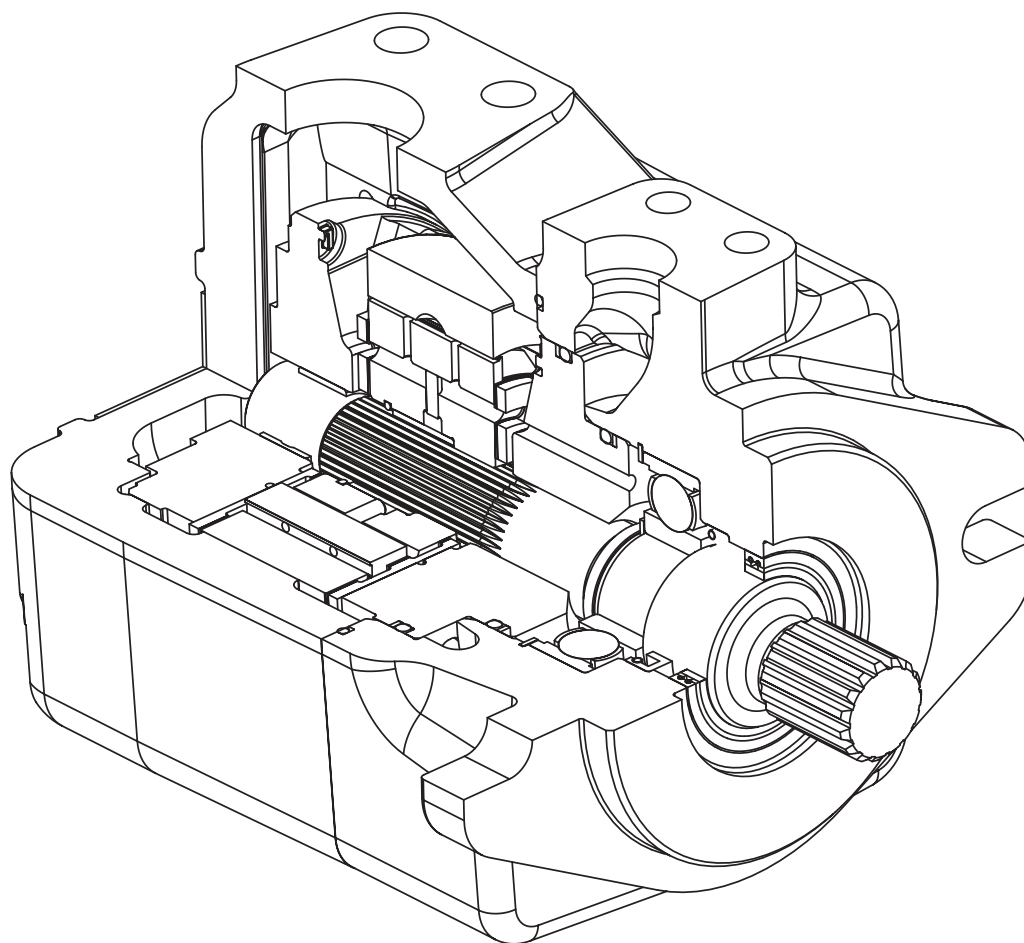
EATON

Vickers

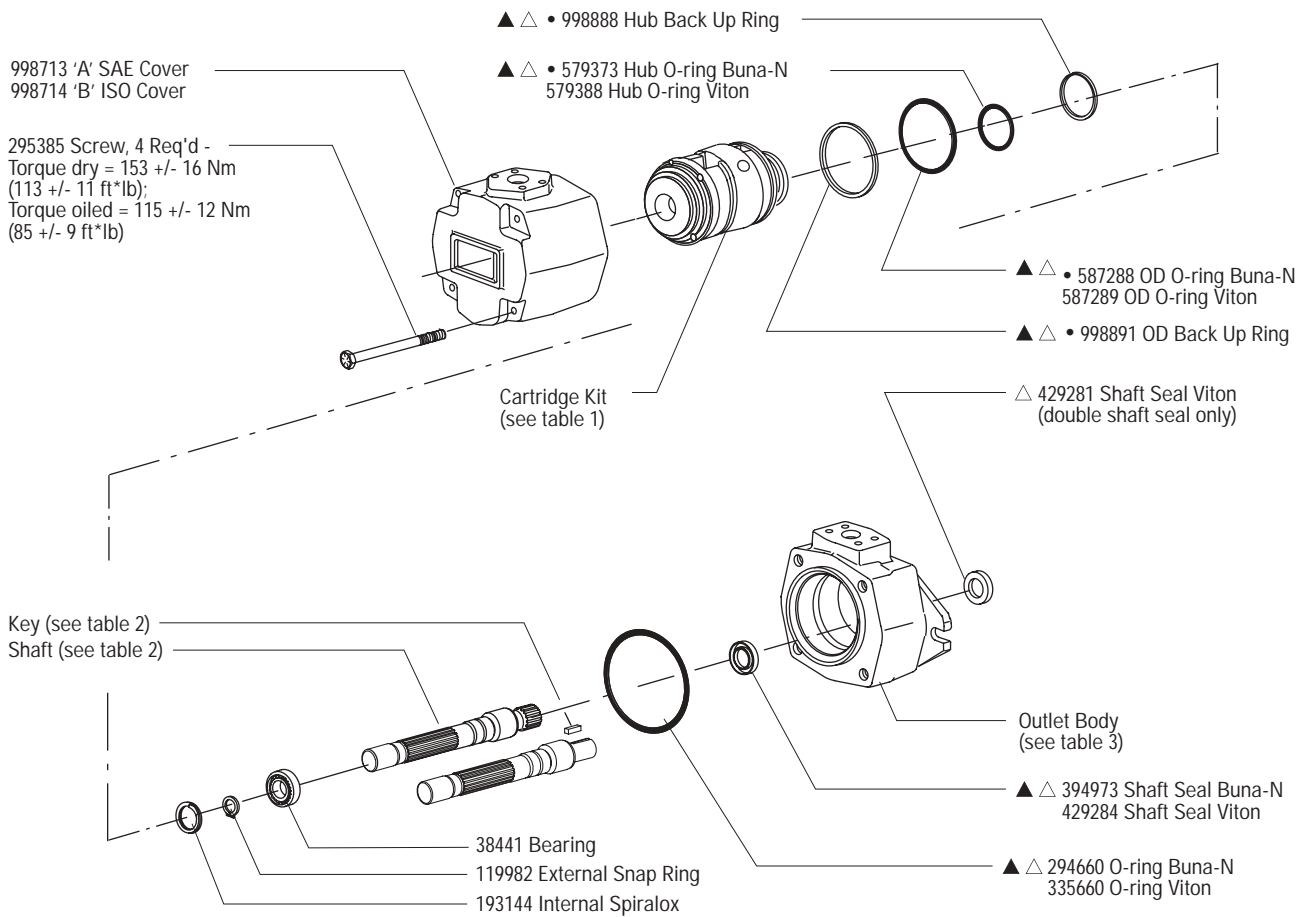
**High Pressure, High Performance
Vane Pumps**

Parts Data

VMQ125S Series
- 32 Design



VICKERS[®]



Note: Lubricate all parts and seals with a thin coat of oil at assembly.

- Included in Cartridge Kit (see table 1)
- ▲ Included in STD Single Seal Kit 02-334550 or Viton® Seal Kit 02-334551.
- △ Included in STD Double Seal Kit 02-334633 or Viton® Seal Kit 02-334634..
- * See Table X1 and X2 for Kit Rotation Information

TABLE X1

Cartridge Kit Rotation for Right Hand Rotation Pump

PUMP ROTATION	SHAFT END KIT ROTATION		
	R= Right Hand Rotation	L=Left Hand Rotation	CENTER KIT ROTATION
Single & Thru (R)	(R)	-	-

- *Notes:
- A right hand rotation pump has the shaft turning clockwise when viewed from the input shaft end
 - When ordering a right hand rotation kit, the part number will not have a suffix

TABLE X2

Cartridge Kit Rotation for Left Hand Rotation Pump

PUMP ROTATION	SHAFT END KIT ROTATION		
	R= Right Hand Rotation	L=Left Hand Rotation	CENTER KIT ROTATION
Single & Thru (L)	(L)	-	-

- *Notes:
- A left hand rotation pump has the shaft turning counterclockwise when viewed from the input shaft end
 - When ordering a left hand rotation kit, the part number will have a suffix of '-L'

TABLE 1

MODEL CODE	* • CARTRIDGE KIT (BUNA-N)*	* • CARTRIDGE KIT (VITON)*
VMQ125*010	02-347013	02-347014
VMQ125*016	02-347011	02-347012
VMQ125*020	02-347009	02-347010
VMQ125*025	02-347007	02-347008
VMQ125*032	02-347005	02-347006
VMQ125*040	02-347003	02-347004
VMQ125*045	02-347001	02-347002
VMQ125*050	02-346999	02-347000
VMQ125*063	02-346997	02-346998
VMQ125*071	02-346995	02-346996
VMQ125*080	02-346993	02-346994
VMQ125*090	02-347102	02-347103

Viton® is a registered trademark of E.I. DuPont Co.

TABLE 2

MODEL CODE	SHAFT	KEY
VMQ125S-*.*.*.*-01	932890	928540
VMQ125S-*.*.*.*-02	932852	—
VMQ125S-*.*.*.*-03	932891	928545
VMQ125S-*.*.*.*-04	932892	928563
VMQ125S-*.*.*.*-05	932893	928541
VMQ125S-*.*.*.*-06	932894	—
VMQ125S-*.*.*.*-07	932895	928546
VMQ125S-*.*.*.*-08	932896	928564
VMQ125S-*.*.*.*-09	932897	—

TABLE 3

Flange Mounting Style	Single Shaft Seal		Double Shaft Seal	
	Inch Port Threads	Metric Port Threads	Inch Port Threads	Metric Port Threads
SAE B	998600	998602	998601	998603
ISO 100	—	998604	—	998605

Model Code

VMQ1 ** * *** * * ** ** * * * * * * * * 00 * 0 32

1 2 3 4
5 6
7
8 9 10
11
12 13 14
15 16
17 18
19 20
21 22
23 24
25 26
27 28

1 2 3 4 **Series designation**
 VMQ1 – Vane pump single series

5 6 **Frame size**
 25 – 10-90 cm³/r
 (0.62-5.49 in³/r)

7 **Pump type**
 S – Single

8 9 10 **Displacement**
 Frame size 25

010 – 10 cm³/r (0.62 in³/r)
 016 – 16 cm³/r (0.98 in³/r)
 020 – 20 cm³/r (1.23 in³/r)
 025 – 25 cm³/r (1.58 in³/r)
 032 – 32 cm³/r (1.96 in³/r)
 040 – 40 cm³/r (2.44 in³/r)
 045 – 45 cm³/r (2.75 in³/r)
 050 – 50 cm³/r (3.05 in³/r)
 063 – 63 cm³/r (3.84 in³/r)
 071 – 71 cm³/r (4.33 in³/r)
 080 – 80 cm³/r (4.88 in³/r)
 090 – 90 cm³/r (5.49 in³/r)

11 **Front flange mounting style**
 A – SAE B 2-bolt
 101,60 (4.000) x 9,4
 (0.37) pilot
 14,4 (0.57) slots on
 146,0 (5.75) bolt circle

C – ISO 3019/2 100A2HW
 2-bolt
 100,00 (3.937) x 9,2
 (0.36) pilot
 14,1 (0.56) slots on
 140,0 (5.51) bolt circle

12 **Rear mounting flange and orientation**
 0 – None (non thru-drive)

13 14 **Input shaft type***
 01 – SAE J744 keyed
 Frame size 25:
 25,40 (1.000)
 02 – SAE J744 splined
 Frame size 25: B-B
 03 – ISO 3019/2 keyed
 Frame size 25:
 25,00 (0.984)
 05 – SAE J744 keyed
 Frame size 25:
 31,75 (1.250)
 06 – SAE J744 splined
 Frame size 25: C
 07 – ISO 3019/2 keyed
 Frame size 25: 32,00 (1.260)
 09 – SAE J744 splined
 Frame size 25: B

15 16 **Output shaft coupling**
 00 – None (non thru-drive)

17 **Inlet port type**
 A – SAE J518 4-bolt split flange
 B – ISO 6162 4-bolt split flange

18 **Outlet port type**
 A – SAE J518 4-bolt flange
 B – ISO 6162 4-bolt flange

19 **Outlet port position**
 Viewed from cover end of pump
 A – Opposite inlet port
 B – 90° CCW to inlet port
 C – In-line with inlet port
 D – 90° CW to inlet port

20 **Shaft seal**
 A – Single, primary
 B – Double, secondary (spring side out)
 Recommended for wet mount applications

21 **Seal type**
 N – Buna N
 V – Viton
 W – Buna N with Viton shaft seal(s)

22 **Shaft rotation**
 Viewed from shaft end of pump

L – Left hand (CCW)
 R – Right hand (CW)

23 24 **Special features**
 00 – None

25 **Paint**
 0 – None
 A – Blue

26 **Customer identification**
 0 – None

27 28 **Design code**
 32 – 32 design
 Installation dimensions remain unchanged for design numbers 30 to 39 inclusive.

* Verify shaft torque ratings meet or exceed input torque requirements

Eaton
14615 Lone Oak Road
Eden Prairie, MN 55344
USA
Tel: 952 937-9800
Fax: 952 974-7722
www.hydraulics.eaton.com

Eaton
20 Rosamond Road
Footscray
Victoria 3011
Australia
Tel: (61) 3 9319 8222
Fax: (61) 3 9318 5714

Eaton
Dr.-Reckeweg-Str. 1
D-76532 Baden-Baden
Germany
Tel: (49) 7221 682-0
Fax: (49) 7221 682-788

VICKERS[®]

EATON

Vickers

© 2003 Eaton Corporation
All rights reserved
Printed in USA
Document No. V-PUVN-TP002-E
June 2003 1M