

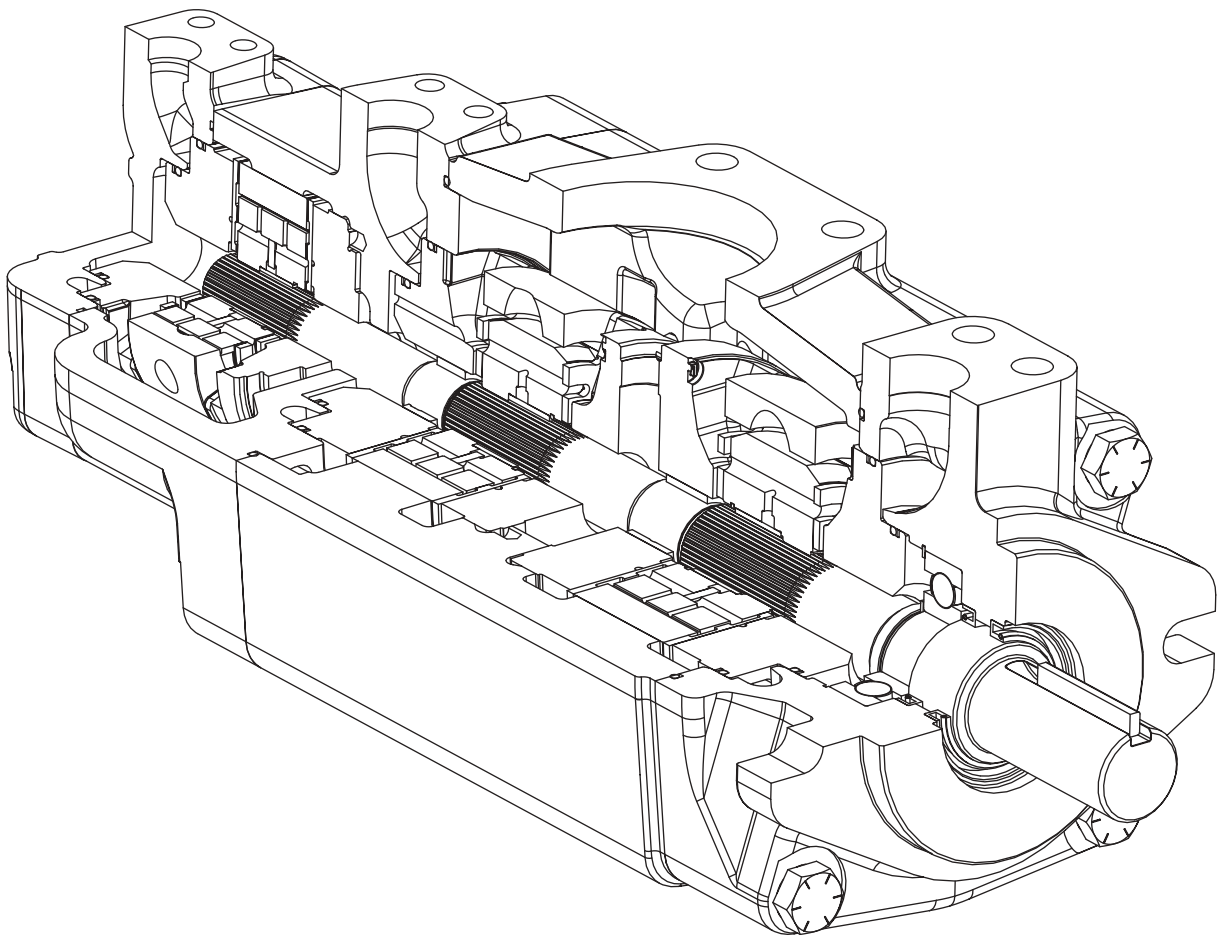
EATON

Vickers

**High Pressure, High Performance
Triple Vane Pumps**

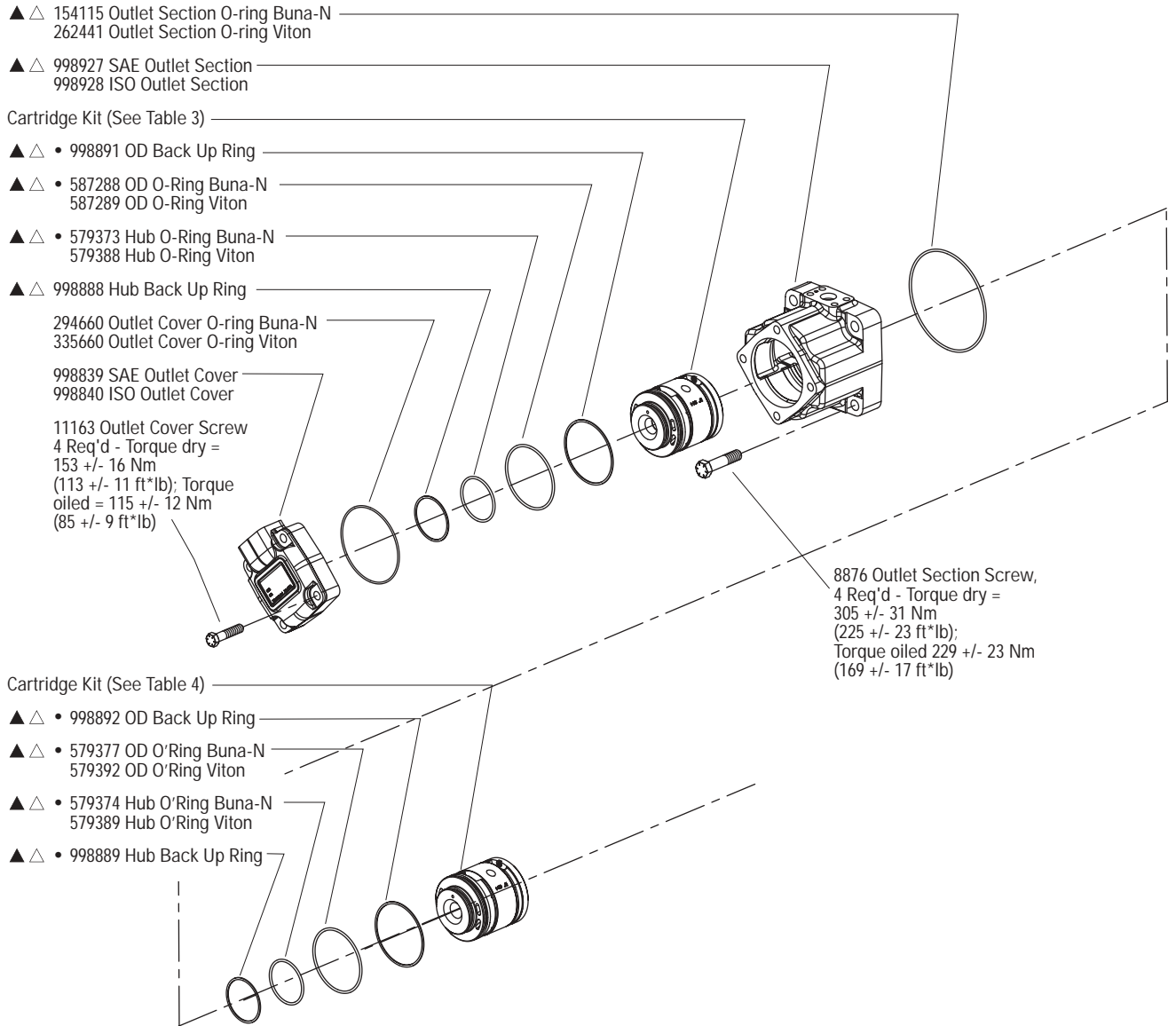
Parts Data

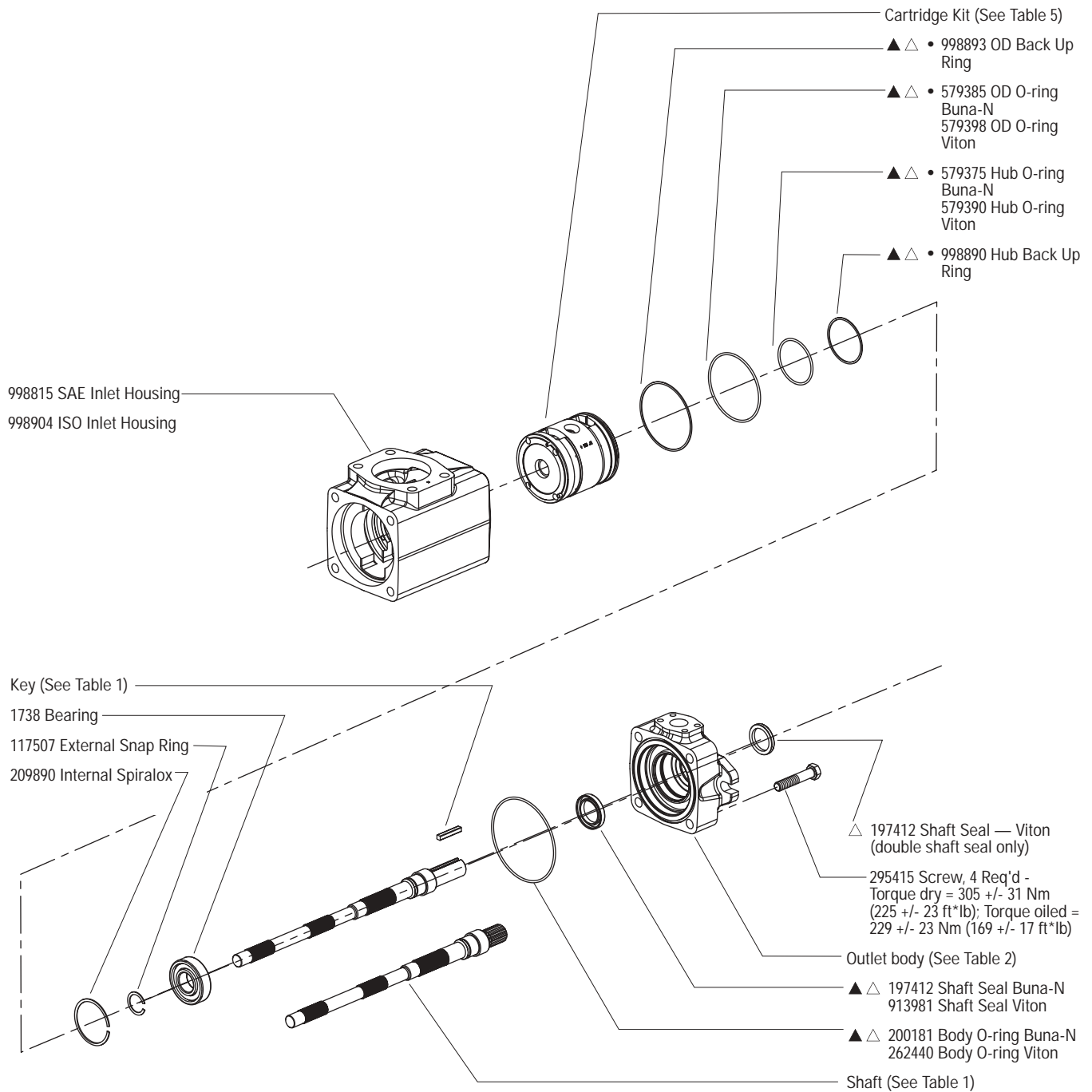
VMQ3453525S Series
- 32 Design



VICKERS[®]

High Pressure, High Performance Triple Vane Pump VMQ3453525S Series — 32 Design





Note: Lubricate all parts and seals with a thin coat of oil at assembly.

- Included in Cartridge Kit (see table 3-5)
- ▲ Included in Single STD Seal Kit 02-346523 or Viton Seal Kit 02-346532.
- △ Included in Double STD Seal Kit 02-346531 or Viton Seal Kit 02-346533.
- * With double and triple pumps, the orientation of the kits is such that the kit rotation is a reverse of the pump rotation. See tables X1 and X2 for the correct kit rotation relative to the pump rotation.

TABLE X1

Cartridge Kit Rotation for Right Hand Rotation Pump

R= Right Hand Rotation		L=Left Hand Rotation	
PUMP ROTATION	SHAFT END KIT ROTATION	CENTER KIT ROTATION	COVER END KIT ROTATION
Triple (R)	(R)	(L)	(L)

*Notes: - A right hand rotation pump has the shaft turning clockwise when viewed from the input shaft end
 - When ordering a right hand rotation kit, the part number will not have a suffix.

TABLE X2

Cartridge Kit Rotation for Left Hand Rotation Pump

R= Right Hand Rotation		L=Left Hand Rotation	
PUMP ROTATION	SHAFT END KIT ROTATION	CENTER KIT ROTATION	COVER END KIT ROTATION
Triple (L)	(L)	(R)	(R)

*Notes: - A left hand rotation pump has the shaft turning counterclockwise when viewed from the input shaft end
 - When ordering a left hand rotation kit, the part number will have a suffix of '-L'

TABLE 1

MODEL CODE	30TH DESIGN SHAFT	31ST & 32ND DESIGN SHAFT	KEY
3453525VMQ-***-***-*_*-01	997092	4993377-001	928542
3453525VMQ-***-***-*_*-02	997080	4993376-001	—
3453525VMQ-***-***-*_*-03	997093	4993378-001	928547
3453525VMQ-***-***-*_*-05	997094	4993379-001	928543
3453525VMQ-***-***-*_*-06	997095	4993380-001	—
3453525VMQ-***-***-*_*-09	997096	4993381-001	—

TABLE 2

OUTLET BODY				
Flange Mounting Style	Single Shaft Seal		Double Shaft Seal	
	Inch Port Threads	Metric Port Threads	Inch Port Threads	Metric Port Threads
SAE B	998754	998748	998755	998749
ISO 100	—	998756	—	998757

TABLE 3

MODEL CODE COVER END	* ● CARTRIDGE KIT (BUNA-N)	* ● CARTRIDGE KIT (VITON [®])
VMQ3453525S***-***-010	02-465574	02-465569
VMQ3453525S***-***-016	02-465575	02-465570
VMQ3453525S***-***-020	02-465576	02-465571
VMQ3453525S***-***-025	02-465578	02-465572
VMQ3453525S***-***-032	02-465577	02-465573
VMQ3453525S***-***-040	02-348974	02-348981
VMQ3453525S***-***-045	02-348975	02-348982
VMQ3453525S***-***-050	02-348976	02-348983
VMQ3453525S***-***-063	02-348977	02-348984
VMQ3453525S***-***-071	02-348978	02-348985
VMQ3453525S***-***-080	02-348979	02-348986
VMQ3453525S***-***-090	02-348980	02-348987

TABLE 4

MODEL CODE CENTER SECTION	* ● CARTRIDGE KIT (BUNA-N)	* ● CARTRIDGE KIT (VITON [®])
VMQ3453525S***-090-***	02-465621	02-465622
VMQ3453525S***-100-***	02-465623	02-465624
VMQ3453525S***-112-***	02-465625	02-465626
VMQ3453525S***-125-***	02-465627	02-465628
VMQ3453525S***-135-***	02-465629	02-465630
VMQ3453525S***-140-***	02-465631	02-465632
VMQ3453525S***-158-***	02-465633	02-465634

TABLE 5

MODEL CODE SHAFT END	* ● CARTRIDGE KIT (BUNA-N)	* ● CARTRIDGE KIT (VITON [®])
VMQ3453525-140-***-***	02-346970	02-346971
VMQ3453525-160-***-***	02-346968	02-346969
VMQ3453525-180-***-***	02-346966	02-346967
VMQ3453525-195-***-***	02-346964	02-346965
VMQ3453525-215-***-***	02-346962	02-346963

Model Code

VMQ3 ** ** 25 *** *** *** * ** * * * * * * * * * * 00 * 0 32

1 2 3 4 5 6 7 8 9 10 11 12 13 14 15 16 17 18 19 20 21 22 23 24 25 26 27 28 29 30 31 32 33 34 35

1 2 3 4 Series designation
VMQ3 – Vane pump triple series

5 6 Frame size (front section)
45 – 140-215 cm ³/_r
(8.54-13.12 in ³/_r)

7 8 Frame size (middle section)
35 – 90-158 cm ³/_r
(5.49-9.64 in ³/_r)

9 10 Frame size (rear section)
25 – 10-90 cm ³/_r
(0.62-5.49 in³/_r)

11 12 13 Displacement (front section)
Frame size 45
140 – 140 cm ³/_r (8.54 in ³/_r)
160 – 160 cm ³/_r (9.76 in ³/_r)
180 – 180 cm ³/_r (10.98 in ³/_r)
195 – 195 cm ³/_r (11.89 in ³/_r)
215 – 215 cm ³/_r (13.12 in ³/_r)

14 15 16 Displacement (middle section)
Frame size 35
090 – 90 cm ³/_r (5.49 in ³/_r)
100 – 100 cm ³/_r (6.10 in ³/_r)
112 – 112 cm ³/_r (6.83 in ³/_r)
125 – 125 cm ³/_r (7.63 in ³/_r)
135 – 135 cm ³/_r (8.24 in ³/_r)
140 – 140 cm ³/_r (8.54 in ³/_r)
158 – 158 cm ³/_r (9.64 in ³/_r)

17 18 19 Displacement (rear section)
Frame size 25
010 – 10 cm ³/_r (0.62 in ³/_r)
016 – 16 cm ³/_r (0.98 in ³/_r)
020 – 20 cm ³/_r (1.23 in ³/_r)
025 – 25 cm ³/_r (1.58 in ³/_r)
032 – 32 cm ³/_r (1.96 in ³/_r)
040 – 40 cm ³/_r (2.44 in ³/_r)
045 – 45 cm ³/_r (2.75 in ³/_r)
050 – 50 cm ³/_r (3.05 in ³/_r)
063 – 63 cm ³/_r (3.84 in ³/_r)
071 – 71 cm ³/_r (4.33 in ³/_r)
080 – 80 cm ³/_r (4.88 in ³/_r)
090 – 90 cm ³/_r (5.49 in ³/_r)

20 Front flange mounting style
A – SAE C 2-bolt
SAE J744 127-2
127,00 (5.000) x 12,4
(0.49) pilot
17,6 (0.69) slots on
181,0 (7.13) bolt circle
B – ISO 3019/2 125A2HW
2-bolt
125,00 (4.921) x 9,2
(0.36) pilot
18,1 (0.71) slots on
180,0 (7.09) bolt circle

21 22 Input shaft type*
01 – SAE J744 keyed
Frame size 45:
38,10 (1.500)
02 – SAE J744 splined
Frame size 45: C-C
03 – ISO 3019/2 keyed
Frame size 45:
40,00 (1.575)
05 – SAE J744 keyed
Frame size 45:
44,45 (1.750)
06 – SAE J744 splined
Frame size 45: D

23 Port type
A – Inlet: SAE J518 4-bolt
flange
Front outlet: SAE J518
4-bolt flange
Middle outlet: SAE J518
4-bolt flange
Rear outlet: SAE J518
4-bolt flange
B – Inlet: ISO 6162 4-bolt
flange
Front outlet: ISO 6162
4-bolt flange
Middle outlet: ISO 6162
4-bolt flange
Rear outlet: ISO 6162
4-bolt flange

24 Front outlet port position
Viewed from cover end
of pump
A – Opposite inlet port
B – 90° CCW to inlet port
C – In-line with inlet port
D – 90° CW to inlet port

25 Middle outlet port position
Viewed from cover end
of pump
A – Opposite inlet port
B – 90° CCW to inlet port
C – In-line with inlet port
D – 90° CW to inlet port

26 Rear outlet port position
Viewed from cover end
of pump
453525 units
E – Opposite inlet port
F – 90° CCW to inlet port
G – In-line with inlet port
H – 90° CW to inlet port

27 Shaft seal
A – Single, primary
B – Double, secondary
(spring side out)
Recommended for wet
mount applications

28 Seal type
N – Buna N
V – Viton
W – Buna N with Viton
shaft seal(s)

29 Shaft rotation
Viewed from shaft end
of pump
L – Left hand (CCW)
R – Right hand (CW)

30 31 Special features
00 – None

32 Paint
0 – None
A – Blue

33 Customer identification
0 – None

34 35 Design code
32 – 32 design
Installation dimensions
remain unchanged for
design numbers 31 to
39 inclusive.

* Verify shaft torque ratings meet or exceed input torque requirements

Eaton
14615 Lone Oak Road
Eden Prairie, MN 55344
USA
Tel: 952 937-9800
Fax: 952 974-7722
www.hydraulics.eaton.com

Eaton
20 Rosamond Road
Footscray
Victoria 3011
Australia
Tel: (61) 3 9319 8222
Fax: (61) 3 9318 5714

Eaton
Dr.-Reckeweg-Str. 1
D-76532 Baden-Baden
Germany
Tel: (49) 7221 682-0
Fax: (49) 7221 682-788

VICKERS[®]

EAT•N

Vickers

© 2003 Eaton Corporation
All rights reserved
Printed in USA
Document No. V-PUVN-TP013-E
June 2003 1M