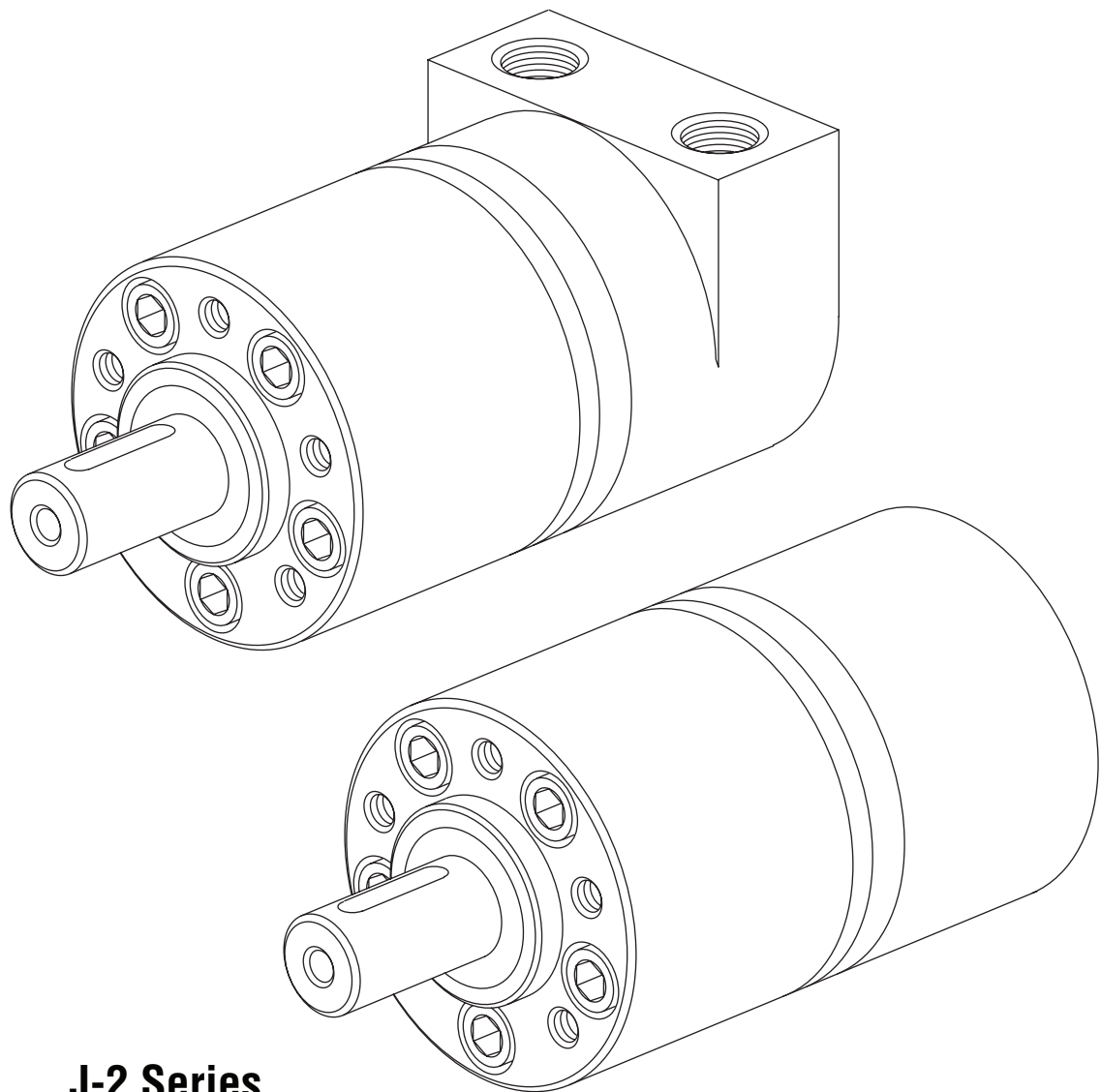


Char-Lynn®

General Purpose Hydraulic Motors



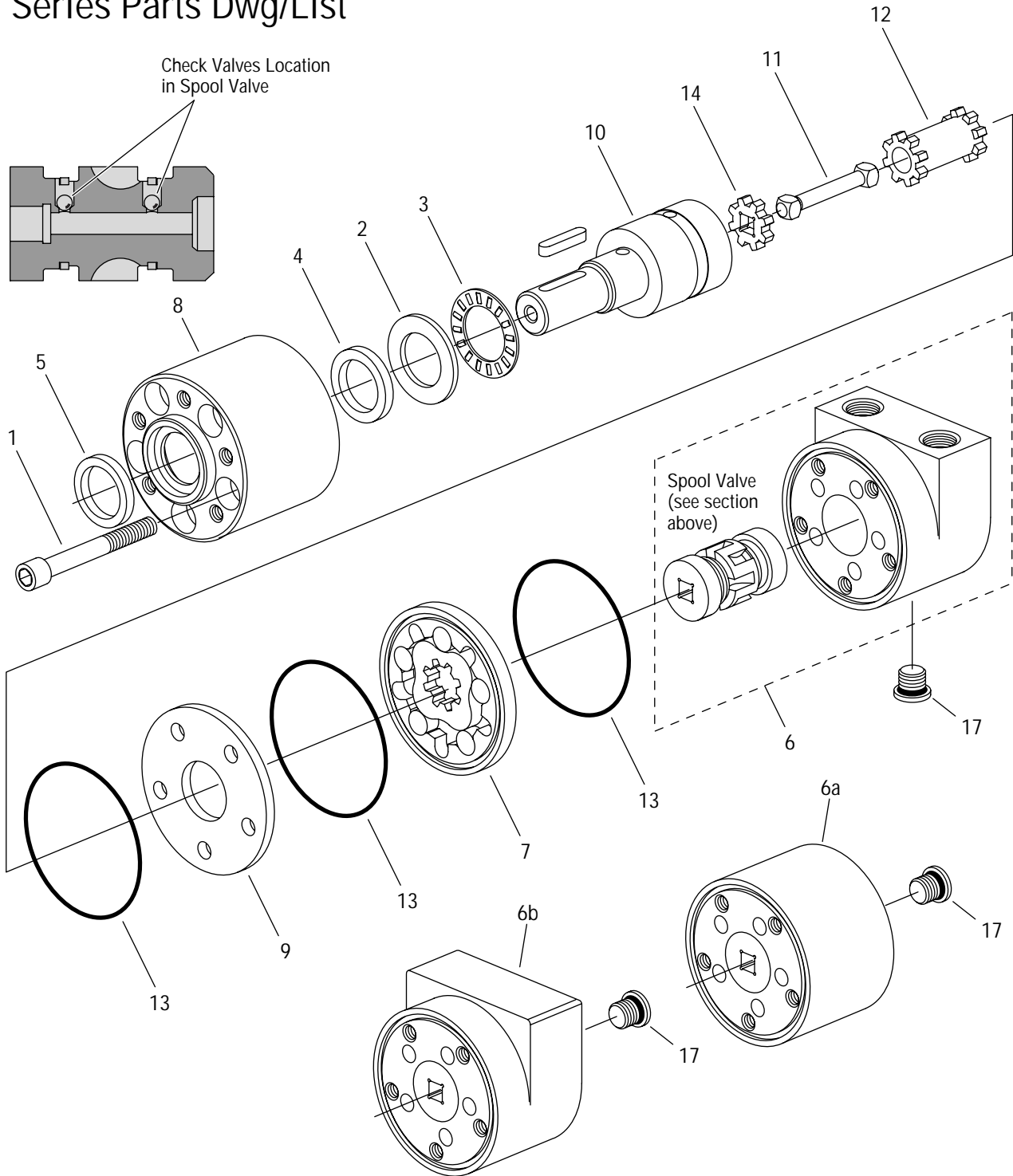
Parts Information



**J-2 Series
Geroler Motor**

002

J-2 Series Parts Dwg/List



Displacement cm ³ /r [in ³ /r]	Item Ref. No. 1 Screw, Cap Internal Hex		Ref. No. 7 Geroler®		Ref. No. 11 Spool Drive		Ref. No. 12 Drive	
	Length mm [inch]		Width mm [inch]		Length mm [inch]		Length mm [inch]	
8,2 [.50]	16148-422	57,2 [2.25]	201404-001	5,31 [.209]	23016-001	46,2 [1.82]	23017-001	32,39 [1.275]
12,9 [.79]	16148-424	64,0 [2.50]	201404-002	8,38 [.330]	23016-002	49,0 [1.93]	23017-002	35,48 [1.397]
19,8 [1.21]	16148-426	69,9 [2.75]	201404-003	12,83 [.505]	23016-003	53,8 [2.12]	23017-003	40,03 [1.576]
31,6 [1.93]	16148-430	76,0 [3.00]	201404-004	20,47 [.806]	23016-004	61,5 [2.42]	23017-004	47,68 [1.877]
50,0 [3.00]	16148-434	88,9 [3.50]	201404-005	31,83 [1.253]	23016-005	72,6 [2.86]	23017-005	58,19 [2.291]

J-2 Series Parts List

Ref. No.	Part Number	Description	Quantity
1	*	Screw, Cap Internal Hex	5
2	16241-C1220	Washer, Thrust	1
3	16241-1220	Bearing, Needle Thrust	1
X 4	14709-002	Seal, Pressure	1
X 5	9121-003	Seal, Exclusion	1
6	201333-004	Housing, Valve and Spool S/A (Side Ports — 9/16-18 UNF)	1
	201333-005	Housing, Valve and Spool S/A (Side Ports — G 3/8 (BSP))	1
	201333-006	Housing, Valve and Spool S/A (Side Ports — G 1/4 (BSP))	1
	201333-007	Housing, Valve and Spool S/A (Side Ports — M14)	1
6a	201333-001	Housing, Valve and Spool S/A (End Ports — 9/16-18 UNF)	1
	201333-002	Housing, Valve and Spool S/A (End Ports — G 1/4 (BSP))	1
	201333-003	Housing, Valve and Spool S/A (End Ports — M14)	1
6b	201333-009	Housing, Valve and Spool S/A (End Ports — G 3/8 (BSP))	1
7	*	Geroler®	1
8	201334-001	Housing, Bearing (1/4-28 UNF-2B Mounting Holes)	1
	201334-002	Housing, Bearing (M6 x 1 - 6H)	1
9	201353-000	Plate, Spacer	1
10	201354-001	Shaft, Output (5/8 Straight Keyed)	1
	14535-004	Key (5/8 Straight Keyed Shaft)	1
	201354-002	Shaft, Output (16 mm Straight Keyed)	1
	14530-001	Key (16 mm Straight Keyed Shaft)	1
	201354-007	Shaft, Output (5/8 Straight with Crosshole)	1
	201354-008	Shaft, Output (3/4 Tapered)	1
	16029-610	Key (.188 x .625 Woodruff Key)	1
	16267-108	Nut, Slotted (1/2-20 UNF x 11,2 [.44] Thick)	1
	201354-004	Shaft, Output (11/16 Straight Keyed)	1
	14535-004	Key (11/16 Straight Keyed Shaft)	1
	201354-005	Shaft, Output (18 mm Straight Keyed)	1
	14531-001	Key (18 mm Straight Keyed Shaft)	1
	201354-006	Shaft, Output (Involute Splined Metric)	1
11	*	Drive, Spool	1
12	*	Drive	1
X 13	16007-006	Seal, O-ring	3
14	23074-000	Spacer, Output Shaft	1
17	9072-002	Plug/O-ring S/A (3/8-24 UNF Drain Port)	1
X	250003-903	O-ring (for 3/8-24 UNF Plug)	1
	9237-007	Plug/O-ring S/A (M10 Drain Port)	1
X	14581-001	O-ring (for M10 Plug)	1
	9170-001	Plug/O-ring S/A (G 1/8 (BSP) Drain Port)	1
X	14591-001	Ring Seal (for G 1/8 (BSP) Plug)	1
	60552-000	2 Bolt Flange Kit (for 3/8 Mounting Bolts)	1
	60553-000	2 Bolt Flange Kit (for M8 Mounting Bolts)	1
	60580-000	Seal Kit — Contains Parts Indicated by X	1

* See Chart on Page 2

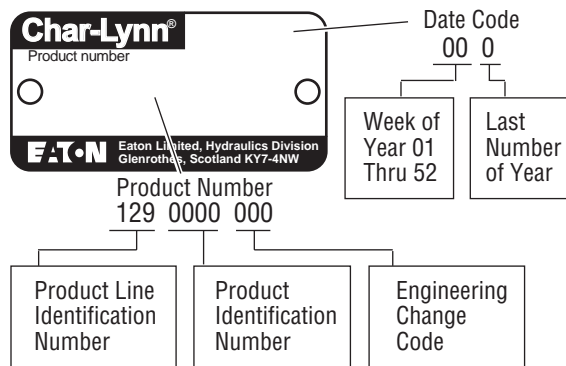
How to Order Replacement Parts

Each Order Must Include the Following:

1. Product Number
2. Date Code
3. Part Name
4. Part Number
5. Quantity of Parts

For more detailed information contact Eaton Hydraulics
14615 Lone Oak Road Eden Prairie, MN 55344.

- Specifications and performance data, Catalog No. 11-104.
- When servicing J Series motors refer to Repair Information No. 7-144. This repair manual lists tools required, and step by step disassembly and reassembly procedures.



Add three digit prefix —**129**— to four digit number from chart for complete product number—Example 129-0382.
Orders will not be accepted without three digit prefix.

Port Location	Port Size	Mounting Holes (5)	Shaft	Displ. cm ³ /r [in ³ /r] / Product Number 129-xxxx						
				8.2 [.50]	12.9 [.79]	19.8 [1.21]	31.6 [1.93]	50.0 [3.00]		
End Port Motors	9/16-18 UNF - 2B O-ring (2)	1/4-28 UNF 2B	5/8 inch Straight	129-0291	-0292	-0293	-0294	-0458		
			11/16 inch Straight	129-0295	-0296	-0297	-0298	-0459		
			Splined — Metric	129-0299	-0300	-0301	-0302	-0460		
			3/4 inch Tapered	129-0480						
			16 mm Straight	129-0303	-0304	-0305	-0306	-0461		
			18 mm Straight	129-0307	-0308	-0309	-0310	-0462		
	M14 x 1,5 - 6H O-ring (2)	M6 x 1 - 6H	Splined — Metric	129-0311	-0312	-0313	-0314	-0463		
			16 mm Straight	129-0315	-0316	-0317	-0318	-0464		
			18 mm Straight	129-0319	-0320	-0321	-0322	-0465		
			Splined — Metric	129-0323	-0324	-0325	-0326	-0466		
			G 1/4 (BSP) (2)	M6 x 1 - 6H	16 mm Straight	129-0327	-0328	-0329	-0330	-0467
					18 mm Straight	129-0331	-0332	-0333	-0334	-0468
End Port* Motors	G 3/8 (BSP) (2)	M6 x 1 - 6H	Splined — Metric	129-0335	-0336	-0337	-0338	-0469		
			5/8 inch Straight	129-0339	-0340	-0341	-0342	-0470		
			11/16 inch Straight	129-0343	-0344	-0345	-0346	-0471		
	9/16-18 UNF - 2B O-ring (2)	1/4-28 UNF 2B	Splined — Metric	129-0347	-0348	-0349	-0350	-0472		
			3/4 inch Tapered	129-0481						
			16 mm Straight	129-0351	-0352	-0353	-0354	-0473		
	M14 x 1,5 - 6H O-ring (2)	M6 x 1 - 6H	18 mm Straight	129-0355	-0356	-0357	-0358	-0474		
			Splined — Metric	129-0359	-0360	-0361	-0362	-0475		
			16 mm Straight	129-0363	-0364	-0365	-0366	-0476		
			G 1/4 (BSP) (2)	M6 x 1 - 6H	18 mm Straight					
					Splined — Metric	129-0367	-0368	-0369	-0370	-0477
			16 mm Straight	129-0371	-0372	-0373	-0374	-0403		
G 3/8 (BSP) (2)	M6 x 1 - 6H	18 mm Straight	129-0375	-0376	-0377	-0378	-0478			
		Splined — Metric	129-0379	-0380	-0381	-0382	-0479			

Two Bolt Mounting Flange Kit (for 3/8 inch Mounting Bolts) — Kit Number 60552 (includes 5 screws — 1/4-28 UNF - 2B)

Two Bolt Mounting Flange Kit (for M8 Mounting Bolts) — Kit Number 60553 (includes 5 screws — M6 x 1 - 6H)

*Note: The Same Casting used for Side Ports is Required for G 3/8 (BSP) End Ports (see Dwg. Page 8 and 9)

129-0479

Information contained in this catalog is accurate as of the publication date and is subject to change without notice. Performance values are typical values. Customers are responsible for selecting products for their applications using normal engineering methods.

Eaton
Fluid Power Group
Hydraulics Business USA
14615 Lone Oak Road
Eden Prairie, MN 55344
USA
Tel: 952-937-9800
Fax: 952-294-7722
www.eaton.com/hydraulics

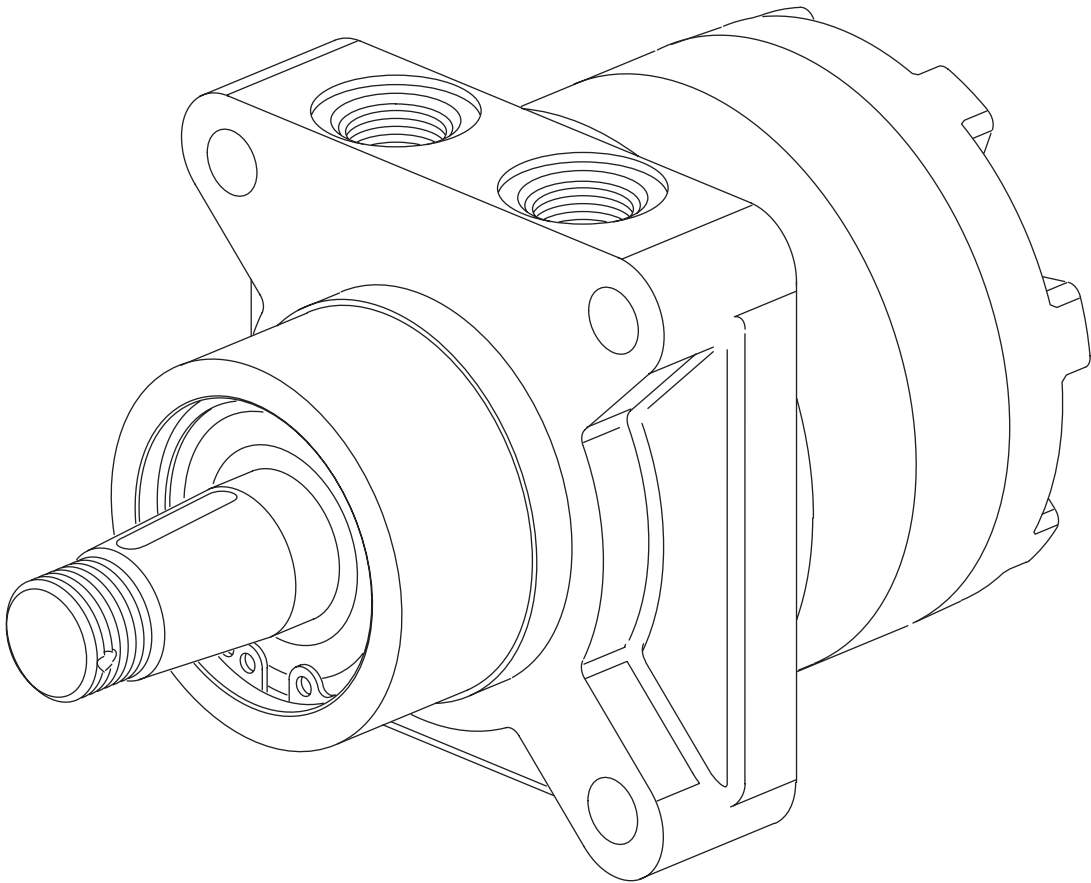
Eaton
Fluid Power Group
Hydraulics Business Europe
Route de la Longeraie 7
1110 Morges
Switzerland
Tel: +41 (0) 21 811 4600
Fax: +41 (0) 21 811 4601

Eaton
Fluid Power Group
Hydraulics Business Asia Pacific
11th Floor Hong Kong New World Tower
300 Huaihai Zhong Road
Shanghai 200021
China
Tel: 86-21-6387-9988
Fax: 86-21-6335-3912

Char-Lynn®
Hydraulic Motors



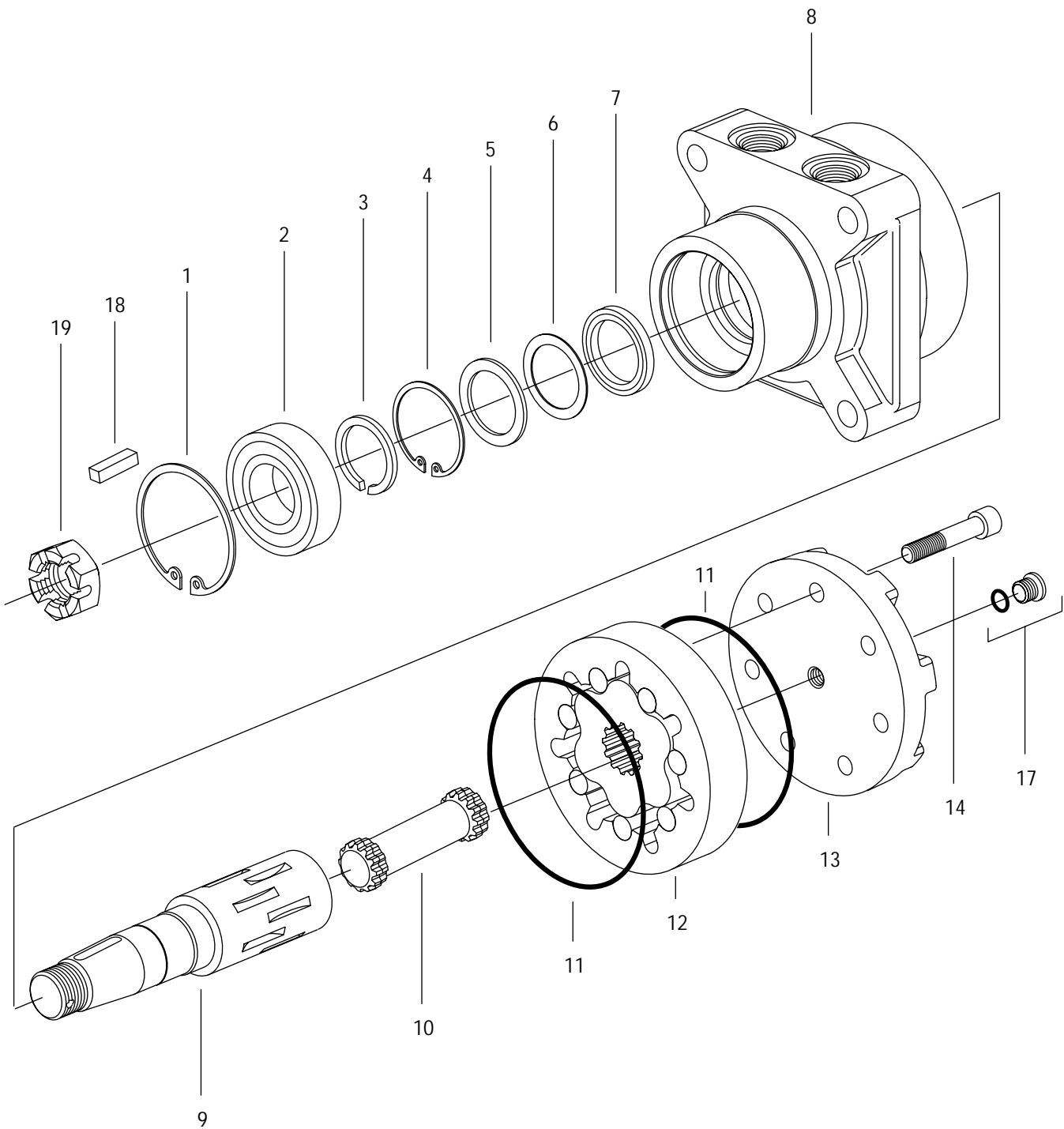
Parts Information



W Series
Geroler® Motors

002

W Series



W Series

Ref. No.	Part Number	Description	Quantity
X 1	14731-001	Ring, Retaining	1
X 2	14730-001	Bearing, Ball	1
X 3	14734-001	Ring, Retaining	1
X 4	14733-001	Ring, Retaining	1
X 5	201977-001	Washer	1
X 6	7382-000	Washer, Backup	1
X 7	9057-009	Seal, Pressure	1
8	201954-001	Housing — 7/8-14 UNF O-ring Port	1
	—	Housing — G 1/2 (BSP) Straight Thread	1
9	201966-053	Shaft, Output	1
	201953-053	Shaft, Output — with Internal Check Valve seats (Poppets (2) not included)	1
	201971-001	Poppet (for Shaft, Output — with Internal Check Valve seats)	2
10	*	Drive	1
X 11	9086-006	Seal	2
12	*	Geroler®	1
13	201960-001	End Cap	1
	201960-002	End Cap — 7/16-20 UNF O-ring Port	1
	—	End Cap — G 1/4 (BSP) Straight Thread	1
14	*	Cap Screw, Internal Hex Head	7
17	9072-003	Plug/O-ring S/A — 7/16-20 UNF	1
X	250003-905	O-ring	1
	—	Plug/O-ring S/A — G 1/4 (BSP)	1
	—	O-ring	1
18	14392-005	Key	1
19	14163-000	Hex Nut	1
	60569-000	Seal Kit — Contains Parts Indicated by X	

*See Chart Below

Displacement cm ³ /r [in ³ /r]	Item Ref. No. 14		Ref. No. 12		Ref. No. 10	
	Screw, Cap Internal Hex	Length mm [inch]	Geroler®	Width mm [inch]	Drive	Length mm [inch]
80 [4.9]	16319-616	44,4 [1.75]	201974-001	9,1 [.36]	201979-003	81,0 [3.19]
126 [7.7]	16319-622	57,1 [2.25]	201974-002	11,9 [.47]	201979-001	83,7 [3.30]
154 [9.4]	16319-624	63,5 [2.50]	201974-003	14,7 [.58]	201979-002	86,4 [3.40]
195 [11.9]	16319-624	63,5 [2.50]	201974-004	18,5 [.73]	22252-000	90,0 [3.54]
251 [15.3]	16319-626	69,8 [2.75]	201974-005	23,9 [.94]	22189-000	95,8 [3.77]
303 [18.5]	16319-630	76,2 [3.00]	201974-006	29,0 [1.14]	201979-005	100,8 [3.97]
374 [22.8]	16319-632	82,5 [3.25]	201974-007	35,6 [1.40]	201979-006	106,9 [4.21]

General Purpose Motors

W Series

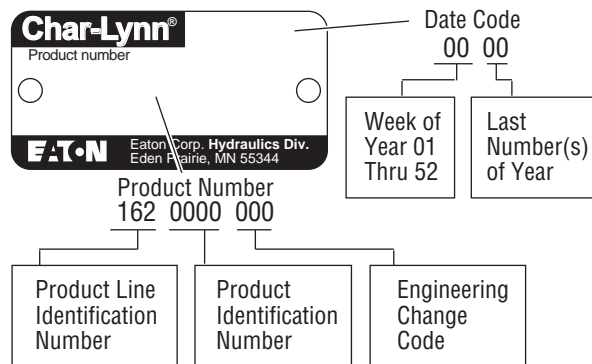
How to Order Replacement Parts

Each Order Must Include the Following:

1. Product Number
2. Date Code
3. Part Name
4. Part Number
5. Quantity of Parts

For More Detailed Information Contact Eaton Corp. Hydraulics Division 15151 Highway 5 Eden Prairie, MN 55344.

- Specifications and performance data, Catalog No. 11-111
- When servicing W Series refer to Repair Information No. 7-157. This repair manual lists tools required, and step by step disassembly and reassembly procedures.



Eaton
Fluid Power Group
Hydraulics Business USA
14615 Lone Oak Road
Eden Prairie, MN 55344
USA
Tel: 952-937-9800
Fax: 952-294-7722
www.eaton.com/hydraulics

Eaton
Fluid Power Group
Hydraulics Business Europe
Route de la Longeraie 7
1110 Morges
Switzerland
Tel: +41 (0) 21 811 4600
Fax: +41 (0) 21 811 4601

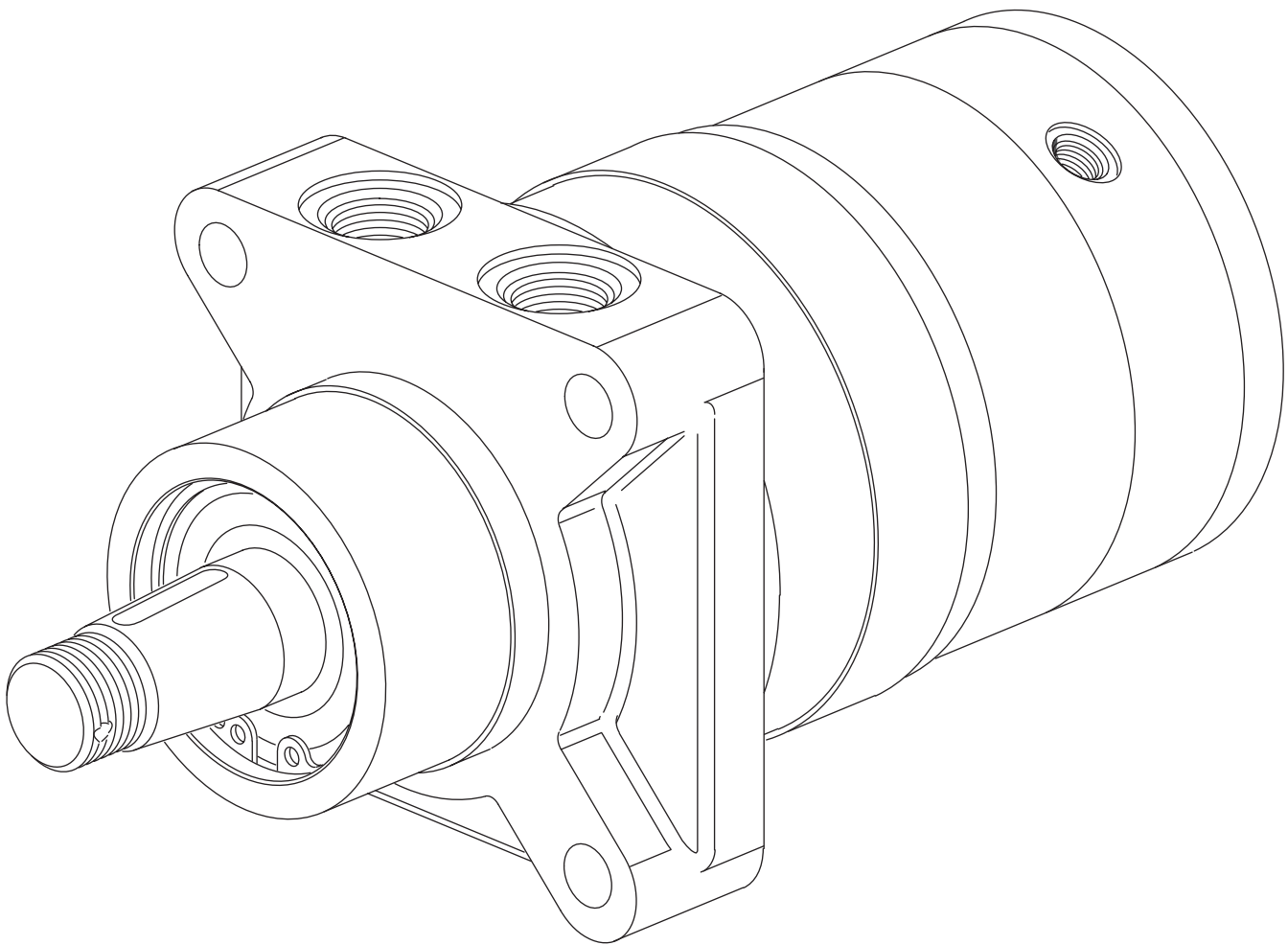
Eaton
Fluid Power Group
Hydraulics Business Asia Pacific
11th Floor Hong Kong New World Tower
300 Huaihai Zhong Road
Shanghai 200021
China
Tel: 86-21-6387-9988
Fax: 86-21-6335-3912

Char-Lynn[®]

Spool Valve Hydraulic Motors



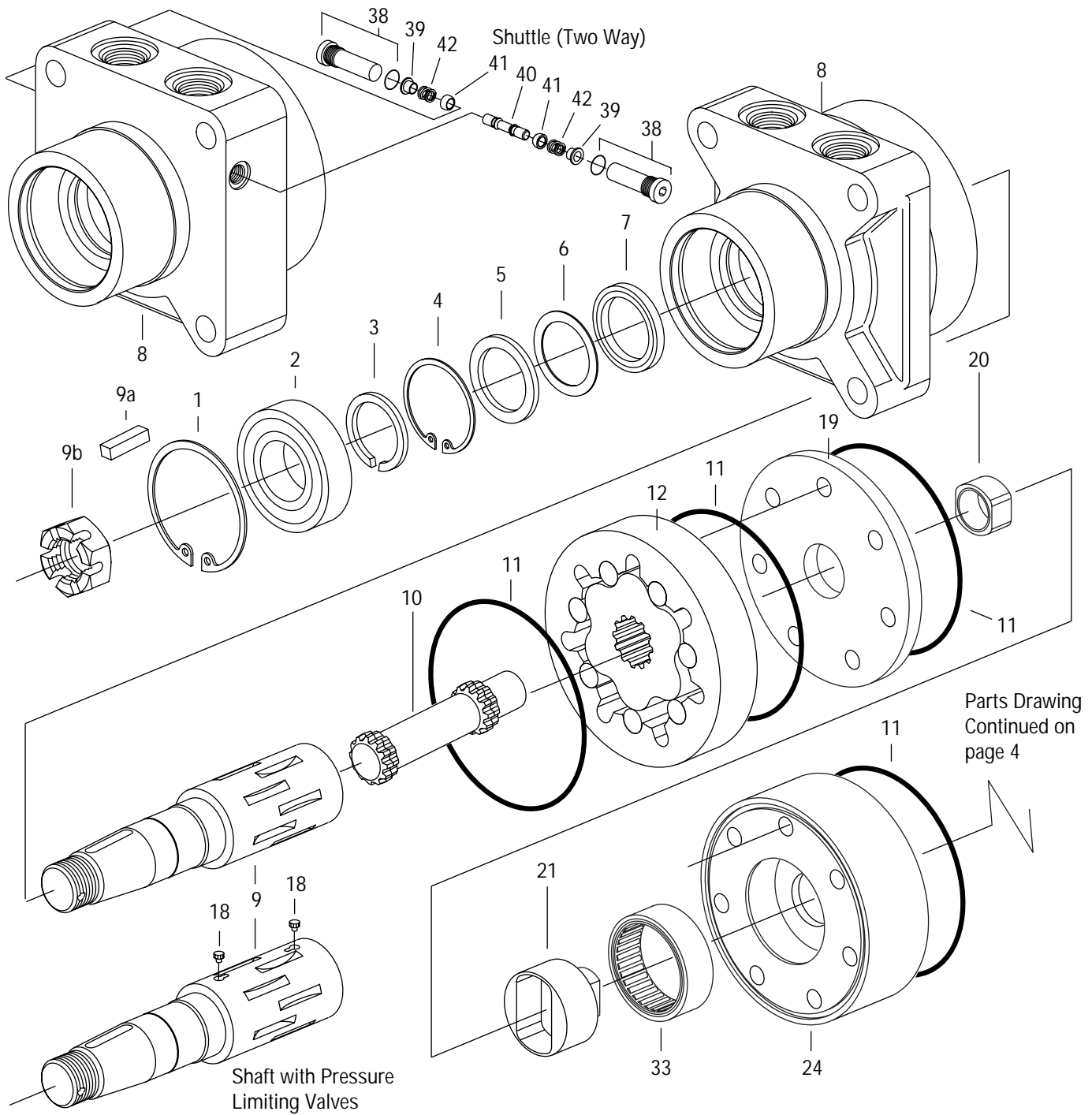
Parts Information



**W Series Geroler[®] Motors
with Parking Brake**

004

W Series with Parking Brake



Output Shaft (Code No.)	Ref. No. 9 Shaft	No Check Valves (Low Speed Shaft)	Internal Check Valves (Low Speed Shaft)	No Check Valves (High Speed Shaft)	Internal Check Valves (High Speed Shaft)
(02)	1-1/4 inch Dia 14 Tooth Splined	203514-002	202525-002	202615-002	202584-002
(03)	1-1/4 inch Dia Tapered Hex Nut — 14163-000 Key — 14392-005	203514-053	202525-053	202615-053	202584-053
(04)	32mm Dia. Straight Key — 14460-005	203514-004	202525-004	202615-004	202584-004
(06)	1-1/4 inch Dia Straight Key — 14393-009	203514-006	202525-006	202615-006	202584-006

W Series with Parking Brake

Ref. No.	Part Number	Part Number	Description	Quantity
	without Shuttle Valve	With Shuttle Valve		
1	14731-001	14731-001	Ring, Retaining	1
2	14730-001	14730-001	Bearing, Ball	1
3	14734-001	14734-001	Ring, Retaining	1
4	14733-001	14733-001	Ring, Retaining	1
5	202409-001	202409-001	Washer	1
X 6	7382-000	7382-000	Washer, Backup	1
X 7	9057-009	9057-009	Seal, Pressure	1
8	203390-001	113032-001	Housing with 7/8-14 UNF O-ring Ports	1
	203390-002	113032-002	Housing with G1/2 (BSP) Straight Thread Ports	1
9	**	**	Shaft, Output	1
10	*	*	Drive	1
X 11	250002-046	250002-046	Seal	5
12	*	*	Geroler®	1
13	203092-001	203092-001	End Cap	1
14	*	*	Cap Screw, Internal Hex Head	7
18	201971-001	201971-001	Poppet (for Shaft, Output — with Internal Check Valve seats)	2
19	203089-001	203089-001	Spacer Plate	1
20	114882-001	114882-001	Drive Collar S/A	1
21	203002-001	203002-001	Shaft, Brake	1
22	203087-001	203087-001	Stationary Plate	4
23	203012-001	203012-001	Friction Pad Assembly	3
24	114979-005	114979-005	Brake Shaft Housing	1
25	203091-001	203091-001	Push Plate	1
26	203097-001	203097-001	Piston Housing without Case Drain	1
	203097-XXX	203097-XXX	Piston Housing with 7/16-20 UNF-2B O-ring Case Drain Port	1
	203097-XXX	203097-XXX	Piston Housing with G1/4 (BSP) Case Drain Port	1
27	114980-XXX	114980-XXX	Piston	1
28	14841-001	14841-001	Spring, Belleville	1
29	14842-001	14842-001	Washer	1
X 30	14853-001	14853-001	Piston Seal	1
X 31	14502-109	14502-109	O-ring	1
X 32	250001-040	250001-040	O-ring	1
33	16341-001	16341-001	Bearing	1
36	250001-111	250001-111	O-ring	1
37	204014-001	204014-001	Bolt	1

Parts List Continued on Page 6

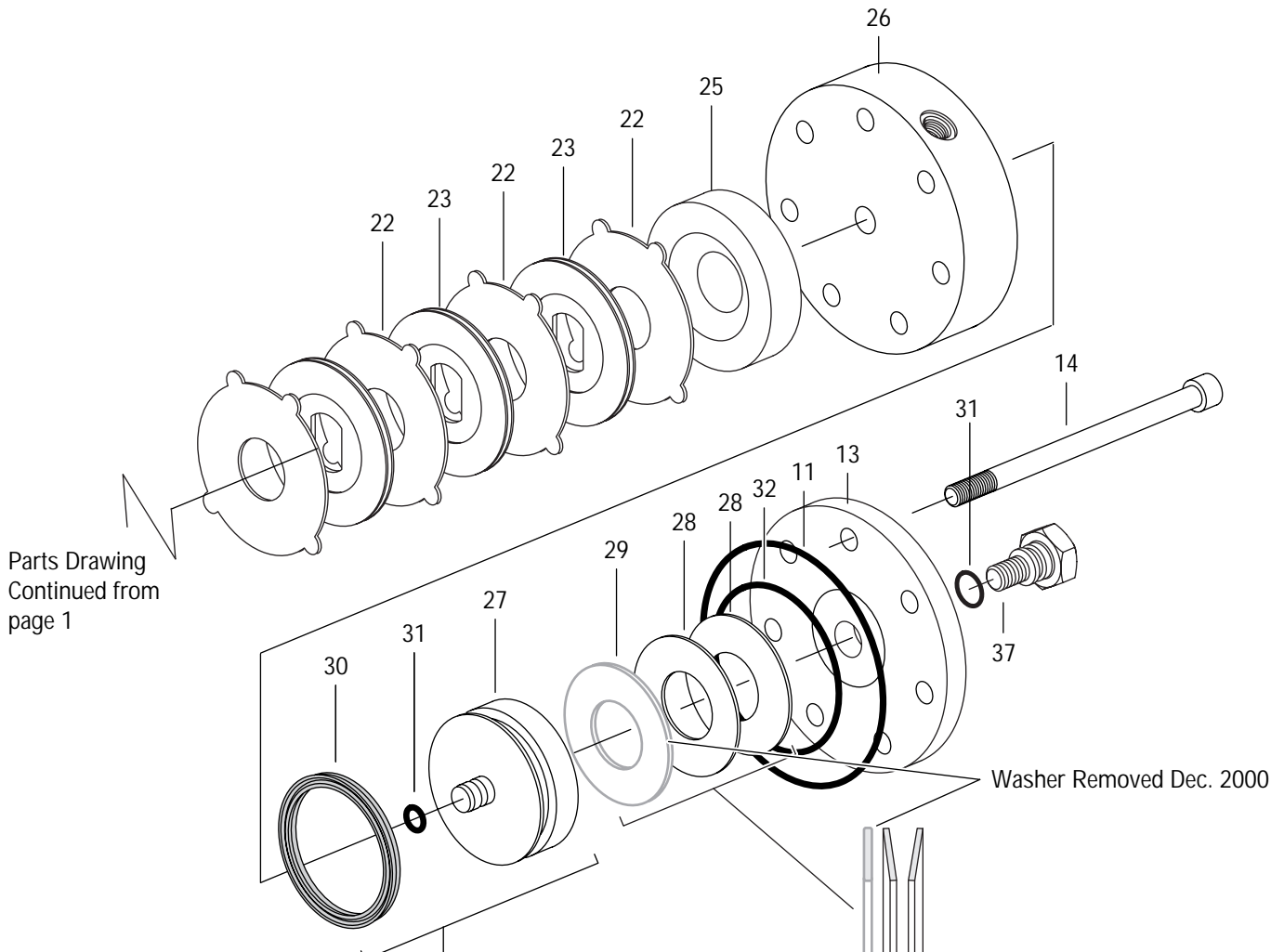
*See Chart Ref. 14, 12, 10 Below

**See Chart Ref. 9 Page 2

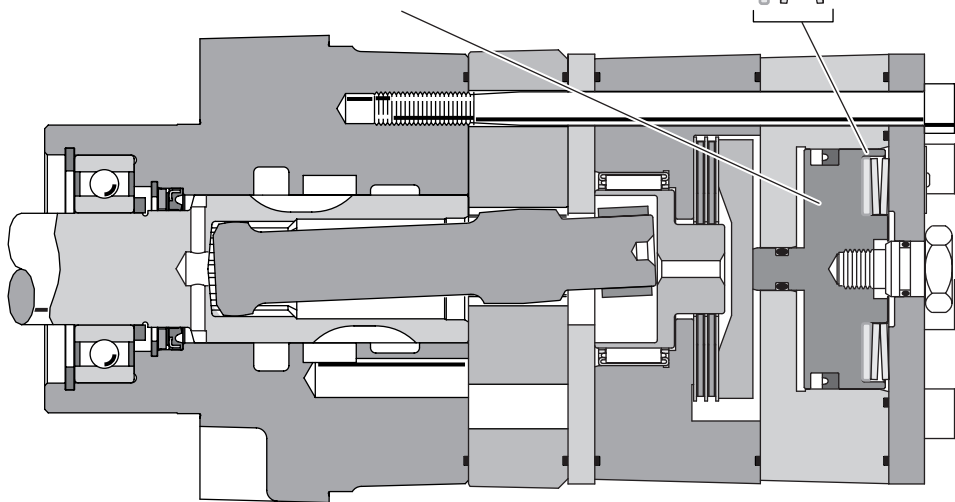
NSS Not Sold Separately

Displacement cm ³ /r [in ³ /r]	Ref. No. 14 Screw, Cap (Internal Hex)	Length mm [inch]	Ref. No. 12 Geroler®	Width mm [inch]	Ref. No. 10 Drive	Length mm [inch]
80 [4.9]	16319-654	139,7 [5.50]	201974-001	9,1 [.36]	203099-002	106,2 [4.18]
126 [7.7]	16319-654	139,7 [5.50]	201974-002	11,9 [.47]	203099-003	109,0 [4.29]
154 [9.4]	16319-656	146,0 [5.75]	201974-003	14,7 [.58]	203099-004	111,7 [4.40]
195 [11.9]	16319-656	146,0 [5.75]	201974-004	18,5 [.73]	203099-005	115,2 [4.54]
251 [15.3]	16319-660	152,4 [6.00]	201974-005	23,9 [.94]	203099-001	121,0 [4.76]
303 [18.5]	16319-660	152,4 [6.00]	201974-006	29,0 [1.14]	203099-007	126,0 [4.96]
374 [22.8]	16319-664	165,1 [6.50]	201974-007	35,6 [1.40]	203099-008	132,2 [5.20]

W Series with Parking Brake



Note: Special Tool is required for Piston/Housing Installation — Tool. No. 600705)



W Series with Parking Brake

Duplicate part list — same as page 3

Ref. No.	Part Number	Part Number	Description	Quantity
	without Shuttle Valve	With Shuttle Valve		
1	14731-001	14731-001	Ring, Retaining	1
2	14730-001	14730-001	Bearing, Ball	1
3	14734-001	14734-001	Ring, Retaining	1
4	14733-001	14733-001	Ring, Retaining	1
5	202409-001	202409-001	Washer	1
X 6	7382-000	7382-000	Washer, Backup	1
X 7	9057-009	9057-009	Seal, Pressure	1
8	203390-001	113032-001	Housing with 7/8-14 UNF O-ring Ports	1
	203390-002	113032-002	Housing with G1/2 (BSP) Straight Thread Ports	1
9	**	**	Shaft, Output	1
10	*	*	Drive	1
X 11	250002-046	250002-046	Seal	5
12	*	*	Geroler®	1
13	203092-001	203092-001	End Cap	1
14	*	*	Cap Screw, Internal Hex Head	7
18	201971-001	201971-001	Poppet (for Shaft, Output — with Internal Check Valve seats)	2
19	203089-001	203089-001	Spacer Plate	1
20	114882-001	114882-001	Drive Collar S/A	1
21	203002-001	203002-001	Shaft, Brake	1
22	203087-001	203087-001	Stationary Plate	4
23	203012-001	203012-001	Friction Pad Assembly	3
24	114979-005	114979-005	Brake Shaft Housing	1
25	203091-001	203091-001	Push Plate	1
26	203097-001	203097-001	Piston Housing without Case Drain	1
	203097-XXX	203097-XXX	Piston Housing with 7/16-20 UNF-2B O-ring Case Drain Port	1
	203097-XXX	203097-XXX	Piston Housing with G1/4 (BSP) Case Drain Port	1
27	114980-XXX	114980-XXX	Piston	1
28	14841-001	14841-001	Spring, Belleville	1
29	14842-001	14842-001	Washer	1
X 30	14853-001	14853-001	Piston Seal	1
X 31	14502-109	14502-109	O-ring	1
X 32	250001-040	250001-040	O-ring	1
33	16341-001	16341-001	Bearing	1
36	250001-111	250001-111	O-ring	1
37	204014-001	204014-001	Bolt	1

Parts List Continued on Page 6

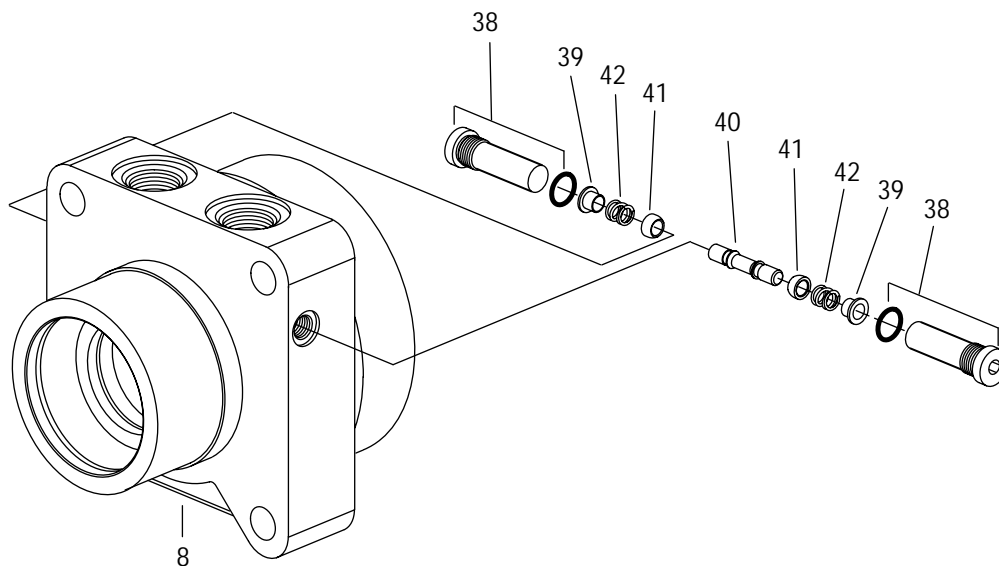
*See Chart Ref. 14, 12, 10 Below

**See Chart Ref. 9 Page 2

NSS Not Sold Separately

Displacement cm ³ /r [in ³ /r]	Ref. No. 14 Screw, Cap (Internal Hex)	Length mm [inch]	Ref. No. 12 Geroler®	Width mm [inch]	Ref. No. 10 Drive	Length mm [inch]
80 [4.9]	16319-654	139,7 [5.50]	201974-001	9,1 [.36]	203099-002	106,2 [4.18]
126 [7.7]	16319-654	139,7 [5.50]	201974-002	11,9 [.47]	203099-003	109,0 [4.29]
154 [9.4]	16319-656	146,0 [5.75]	201974-003	14,7 [.58]	203099-004	111,7 [4.40]
195 [11.9]	16319-656	146,0 [5.75]	201974-004	18,5 [.73]	203099-005	115,2 [4.54]
251 [15.3]	16319-660	152,4 [6.00]	201974-005	23,9 [.94]	203099-001	121,0 [4.76]
303 [18.5]	16319-660	152,4 [6.00]	201974-006	29,0 [1.14]	203099-007	126,0 [4.96]
374 [22.8]	16319-664	165,1 [6.50]	201974-007	35,6 [1.40]	203099-008	132,2 [5.20]

W Series with Parking Brake



Ref. No.	Part Number	Part Number	Description	Quantity
	without Shuttle Valve	With Shuttle Valve		
38	—	9293-001	Plug/O-ring S/A	2
		250003-906	O-ring	2
39	—	8755-000	Sleeve, Dash Pot	2
40	—	8566-000	Piston Shuttle	1
41	—	8567-000	Poppet	2
42	—	230079-000	Spring	2
	60577-000	Seal Kit — Contains Parts Indicated by X		

W Series with Parking Brake

Notes: _____

Spool Valve Hydraulic Motors

W Series with Parking Brake

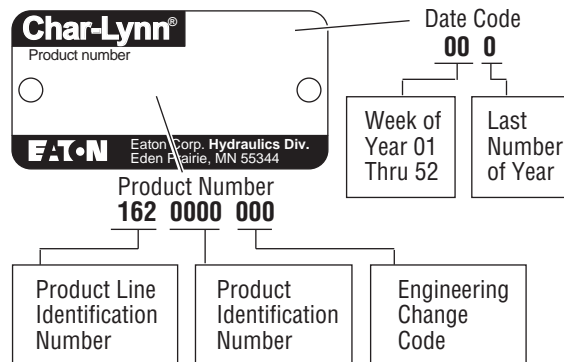
How to Order Replacement Parts

Each Order Must Include the Following:

1. Product Number
2. Date Code
3. Part Name
4. Part Number
5. Quantity of Parts

For More Detailed Information Contact Eaton Hydraulics
14615 Lone Oak Road Eden Prairie, MN 55344.

- Specifications and performance data, Catalog 10-01-109
- When servicing W Series with parking brake refer to Repair Information 07-01-158. This repair manual lists tools required, and step by step disassembly and reassembly procedures.



Eaton
Fluid Power Group
Hydraulics Business USA
14615 Lone Oak Road
Eden Prairie, MN 55344
USA
Tel: 952-937-9800
Fax: 952-294-7722
www.eaton.com/hydraulics

Eaton
Fluid Power Group
Hydraulics Business Europe
Route de la Longeraie 7
1110 Morges
Switzerland
Tel: +41 (0) 21 811 4600
Fax: +41 (0) 21 811 4601

Eaton
Fluid Power Group
Hydraulics Business Asia Pacific
11th Floor Hong Kong New World Tower
300 Huaihai Zhong Road
Shanghai 200021
China
Tel: 86-21-6387-9988
Fax: 86-21-6335-3912

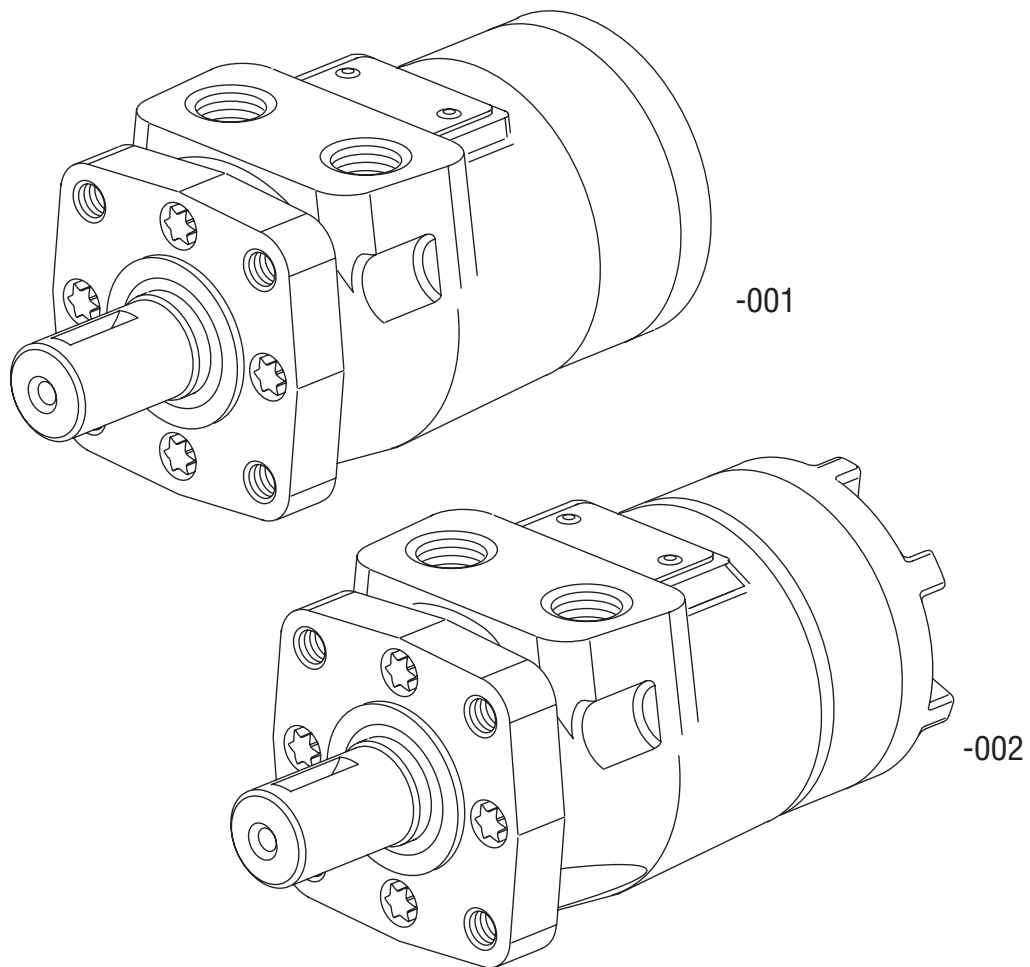
Char-Lynn[®]

Hydraulic Motor

January, 1995



Parts Information

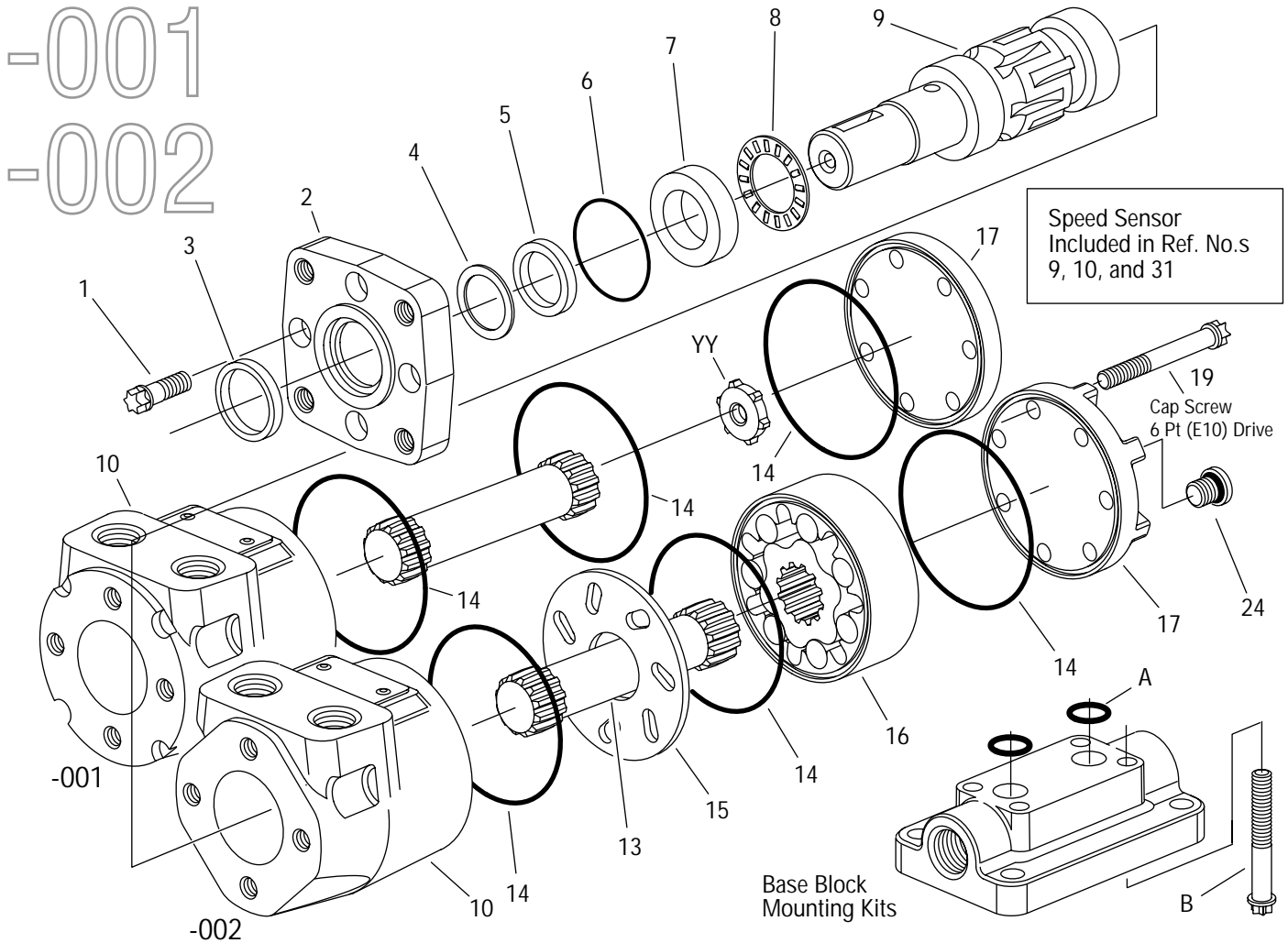


R Series
General Purpose Geroler[®] Motor

001 002

R Series Parts Dwg/List

Displ. cm ³ /r [in ³ /r]	-002		-002 -001		-002 -001	
	Ref. No. 13	Ref. No. 16	Ref. No. 19	Ref. No. 13	Ref. No. 16	Ref. No. 19
	Drive	Length mm [in.]	Geroler®	Width mm [in.]	Screw, Cap	Length mm [in.]
36 [2.2]	602-000	76,2 [3.00]	22801-001	6,6 [.26]	16294-150	38,1 [1.50]
49 [3.0]	201111-001	78,7 [3.10]	22801-002	8,9 [.36]	16294-162	41,1 [1.62]
66 [4.0]	616-000	81,8 [3.22]	22801-003	11,9 [.47]	16294-175	44,5 [1.75]
80 [4.9]	201111-002	84,6 [3.33]	22801-004	14,7 [.58]	16294-188	47,8 [1.88]
102 [6.2]	201111-003	88,6 [3.49]	22801-005	18,5 [.73]	16294-200	50,8 [2.00]
131 [8.0]	201111-004	94,0 [3.70]	22801-006	23,9 [.94]	16294-225	57,2 [2.25]
157 [9.6]	201111-005	90,8 [3.90]	22801-007	28,9 [1.14]	16294-238	60,5 [2.38]
195 [11.9]	201111-006	105,7 [4.16]	22801-008	35,6 [1.40]	16294-262	66,5 [2.62]
244 [14.9]	201111-007	114,8 [4.52]	22801-009	44,5 [1.76]	16294-300	76,2 [3.00]
306 [18.7]	201111-008	126,2 [4.97]	22801-010	56,1 [2.21]	16294-350	88,9 [3.50]
370 [22.6]	201111-009	137,9 [5.43]	22801-012	67,8 [2.66]	16294-400	101,6 [4.00]



All R -002 parts are interchangeable with R -001 parts except: End Cap (seal groove change), housing, section seals, drives and drive spacer. Note: Each displacement in the R -002 has its own unique drive with no spacer required.

R Series Parts Dwg/List

Ref. No.	-002		-001		Description	Quantity
	Part No.	Part No.	Part No.	Part No.		
1	16292-088	16292-088			Screw, Cap (6 Point (E10) Drive 5/16-24 x 7/8)	4
2	22000-001	22000-001			Flange Mounting (2 Bolt)	1
	22000-002	22000-002			Flange Mounting (4 Bolt) 3/8-16 UNC	1
	22000-006	22000-006			Flange Mounting (4 Bolt) M10 x 1,5	1
	22000-005	22000-005			Flange Mounting (4 Bolt Magneto)	1
X 3	9121-002	9121-002			Seal, Exclusion	1
X 4	22002-000	22002-000			Washer, Backup	1
X 5	9057-014	9057-014			Seal, Pressure	1
X 6	9091-001	9091-001			Seal	1
7	7462-000	7462-000			Race, Thrust Bearing	1
8	7537-000	7537-000			Bearing, Thrust Needle	1
9	7360-001	7360-001			Shaft, Output (1 in. Dia. Straight with Woodruff Key Slot)	1
	220879-001				Shaft, Output (1 in. Dia. Straight with Woodruff Key Slot) — <i>Speed Sensor Shaft</i>	1
	7360-002	7360-002			Shaft, Output (SAE 6B Splined)	1
	7360-007	7360-007			Shaft, Output (1 in. Dia. Straight with .315 Dia. Crosshole)	1
	7360-008	7360-008			Shaft, Output (1 in. Dia. Straight with .406 Dia. Crosshole)	1
	7360-024	7360-024			Shaft, Output (25 mm Dia. Straight)	1
	7360-016	7360-016			Shaft, Output (7/8 in. Dia. SAE B 13 T Splined)	1
	7360-018	7360-018			Shaft, Output (1 in. Dia. Tapered — 37,1 [1.46] Max. Coupling Length)	1
	7360-037	7360-037			Shaft, Output (1 in. Dia. Tapered — 27,6 [1.08] Max. Coupling Length)	1
	14193-000	14193-000			Key, Woodruff (1 in. Dia. Straight Shaft)	1
	14193-000	14193-000			Key, Woodruff (for Tapered Shaft)	1
	14462-006	14462-006			Key, Straight (for 25 mm Dia. Shaft)	1
	14381-000	14381-000			Nut (for Tapered Shaft)	1
	10	201083-001	22807-001			Housing, 7/8-14 O-ring Ports
201382-001					Housing, 7/8-14 O-ring Ports — <i>Speed Sensor Housing</i>	1
201083-002		22807-002			Housing, 1/2 NPTF Ports	1
201083-003		22807-003			Housing, Manifold Ports (5/16-18 UNC)	1
201083-004		22807-004			Housing, Manifold Ports (M8 x 1,5)	1
201083-006		22807-006			Housing, (G 1/2 (BSP))	1
13	*	**			Drive	1
X 14	9086-005	250001-041			Seal	3
15	22808-000	22808-000			Plate, Spacer	1
16	*	*			Geroler	1
17	23986-001	22809-001			Cap, End (No Port)	1
	23986-002	22809-002			Cap, End (with Drain Port 7/16-20 O-ring)	1
	23986-003	22809-003			Cap, End (with Drain Port G 1/4 (BSP))	1
19	*	*			Screw, Cap (6 Point (E10) Drive 5/16-24)	7

Continued on Page 4

R Series

Continued from Page 3

Ref. No.	-002		-001		Description	
	Part No.	Part No.	Part No.	Part No.		
24	9072-003	9072-003			Plug/ O-ring (7/16-20 Drain Port)	1
X	250003-904	250003-904			O-ring for 7/16-20 Drain Port Plug	1
	9170-002	9170-002			Plug/O-ring (G 1/4 (BSP) Drain Port)	1
	—	—			O-ring for G 1/4 (BSP) Drain Port Plug	1
31	201137-001				Sensor, Speed — 127mm [5.0 in.] Lead Wire	1
YY	—	**			Spacer	0/1
	60564-000	60555-000			Seal Kit (Buna N) — Contains Parts Indicated by X Seal Kit (same as above with one exception - Shaft Seal is Viton®) Seal Kit (Viton) — Contains Parts Indicated by X (Part No.s Differ from those Shown)	
	60566-000	60556-000				
	60565-000					
Mounting Kit	123-1007	123-1007			Base Block Mounting Kit (1/2 NPTF Ports (Manifold Mount Motors Only))	
	123-1008	123-1008			Base Block Mounting Kit (7/8-14 O-ring Ports (Manifold Mount Motors Only))	
X A	15058-000	15058-000			Seal, O-ring (2)	
	B	267512-019	267512-019		Screw, Cap (5/16-18 Thread (4))	
		14474-003	14474-003		Screw, Cap (M8 x 1,5) Thread (4)	

Viton® is a Registered Trade Name of Dupont Corporation.

* See Chart (page 2)

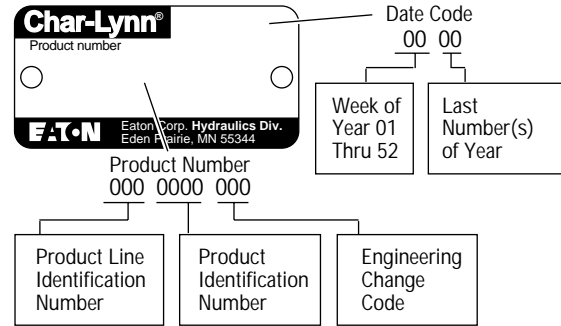
** See Chart (page 4)

Displ. cm ³ /r [in ³ /r]	-001		-001	
	Ref. No. 13 Drive	Length mm [in.]	Ref. No. YY Spacer	Width mm [in.]
36 [2.2]	602-000	76,2 [3.00]	—	—
49 [3.0]	602-000	76,2 [3.00]	6901-015	2,5 [.10]
66 [4.0]	616-000	81,8 [3.22]	—	—
80 [4.9]	616-000	81,8 [3.22]	6901-015	2,5 [.10]
102 [6.2]	22251-000	86,2 [3.39]	6901-015	2,5 [.10]
131 [8.0]	8664-000	91,7 [3.61]	6901-015	2,5 [.10]
157 [9.6]	22189-000	95,8 [3.77]	6901-015	2,5 [.10]
195 [11.9]	22190-000	102,0 [4.01]	6901-009	3,4 [.13]
244 [14.9]	22253-000	121,0 [4.76]	6901-009	3,4 [.13]
306 [18.7]	22191-000	110,5 [4.35]	6901-009	3,4 [.13]

R Series

For Additional Literature Contact Eaton Corp. Hydraulics Division 15151 Highway 5 Eden Prairie, MN 55344.

- Specifications and performance data, Catalog No. 11-103
- When servicing R Series Motors refer to Repair Information No. 7-142. This repair manual lists tools required, and step by step disassembly and reassembly procedures.



How to Order Replacement Parts

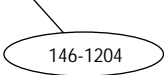
Each Order Must Include the Following:

1. Product Number
2. Date Code
3. Part Name
4. Part Number
5. Quantity of Parts

Product Numbers—R Series

Add three digit prefix —146—to four digit number from chart for complete product number—Example 146-1204.

Mounting	Shaft	Ports	Displ. cm ³ /r [in ³ /r] Product Number 146-xxxx										
			36 [2.2]	49 [3.0]	66 [4.0]	80 [4.9]	102 [6.2]	131 [8.0]	157 [9.6]	195 [11.9]	244 [14.9]	306 [18.7]	370 [22.6]
2 Bolt Flange	1 in. Straight w/Woodruff Key	7/8-14 O-ring	146-1041	-1042	-1043	-1044	-1045	-1046	-1047	-1048	-1049	-1050	—
		1/2 NPTF	146-1031	-1032	-1033	-1034	-1035	-1036	-1037	-1038	-1039	-1040	—
		Manifold	146-1051	-1052	-1053	-1054	-1055	-1056	-1057	-1058	-1059	-1060	—
	1 in. SAE 6B Splined	7/8-14 O-ring	146-1101	-1102	-1103	-1104	-1105	-1106	-1107	-1108	-1109	-1110	—
		1/2 NPTF	146-1091	-1092	-1093	-1094	-1095	-1096	-1097	-1098	-1099	-1100	—
		Manifold	146-1111	-1112	-1113	-1114	-1115	-1116	-1117	-1118	-1119	-1120	—
	1 in. Straight w/.31 Dia. Crosshole	7/8-14 O-ring	146-1121	-1122	-1123	-1124	-1125	-1126	-1127	—	—	—	—
		1/2 NPTF	146-1128	-1129	-1130	-1131	-1132	-1133	-1134	—	—	—	—
		Manifold	146-1135	-1136	-1137	-1138	-1139	-1140	-1141	—	—	—	—
	1 in. Straight w/.40 Dia. Crosshole	7/8-14 O-ring	146-1142	-1143	-1144	-1145	-1146	-1147	-1148	—	—	—	—
		1/2 NPTF	146-1149	-1150	-1151	-1152	-1153	-1154	-1155	—	—	—	—
		Manifold	146-1156	-1157	-1158	-1159	-1160	-1161	-1162	—	—	—	—
4 Bolt Flange	1 in. Straight w/Woodruff Key	7/8-14 O-ring	146-1011	-1012	-1013	-1014	-1015	-1016	-1017	-1018	-1019	-1020	—
		1/2 NPTF	146-1001	-1002	-1003	-1004	-1005	-1006	-1007	-1008	-1009	-1010	—
		Manifold	146-1021	-1022	-1023	-1024	-1025	-1026	-1027	-1028	-1029	-1030	—
	1 in. SAE 6B Splined	7/8-14 O-ring	146-1071	-1072	-1073	-1074	-1075	-1076	-1077	-1078	-1079	-1080	—
		1/2 NPTF	146-1061	-1062	-1063	-1064	-1065	-1066	-1067	-1068	-1069	-1070	—
		Manifold	146-1081	-1082	-1083	-1084	-1085	-1086	-1087	-1088	-1089	-1090	—
	1 in. Straight w/.31 Dia. Crosshole	7/8-14 O-ring	146-1163	-1164	-1165	-1166	-1167	-1168	-1169	—	—	—	—
		1/2 NPTF	146-1170	-1171	-1172	-1173	-1174	-1175	-1176	—	—	—	—
		Manifold	146-1177	-1178	-1179	-1180	-1181	-1182	-1183	—	—	—	—
	1 in. Straight w/.40 Dia. Crosshole	7/8-14 O-ring	146-1184	-1185	-1186	-1187	-1188	-1189	-1190	—	—	—	—
		1/2 NPTF	146-1191	-1192	-1193	-1194	-1195	-1196	-1197	—	—	—	—
		Manifold	146-1198	-1199	-1200	-1201	-1202	-1203	-1204	—	—	—	—



Eaton
Fluid Power Group
Hydraulics Business USA
14615 Lone Oak Road
Eden Prairie, MN 55344
USA
Tel: 952-937-9800
Fax: 952-294-7722
www.eaton.com/hydraulics

Eaton
Fluid Power Group
Hydraulics Business Europe
Route de la Longeraie 7
1110 Morges
Switzerland
Tel: +41 (0) 21 811 4600
Fax: +41 (0) 21 811 4601

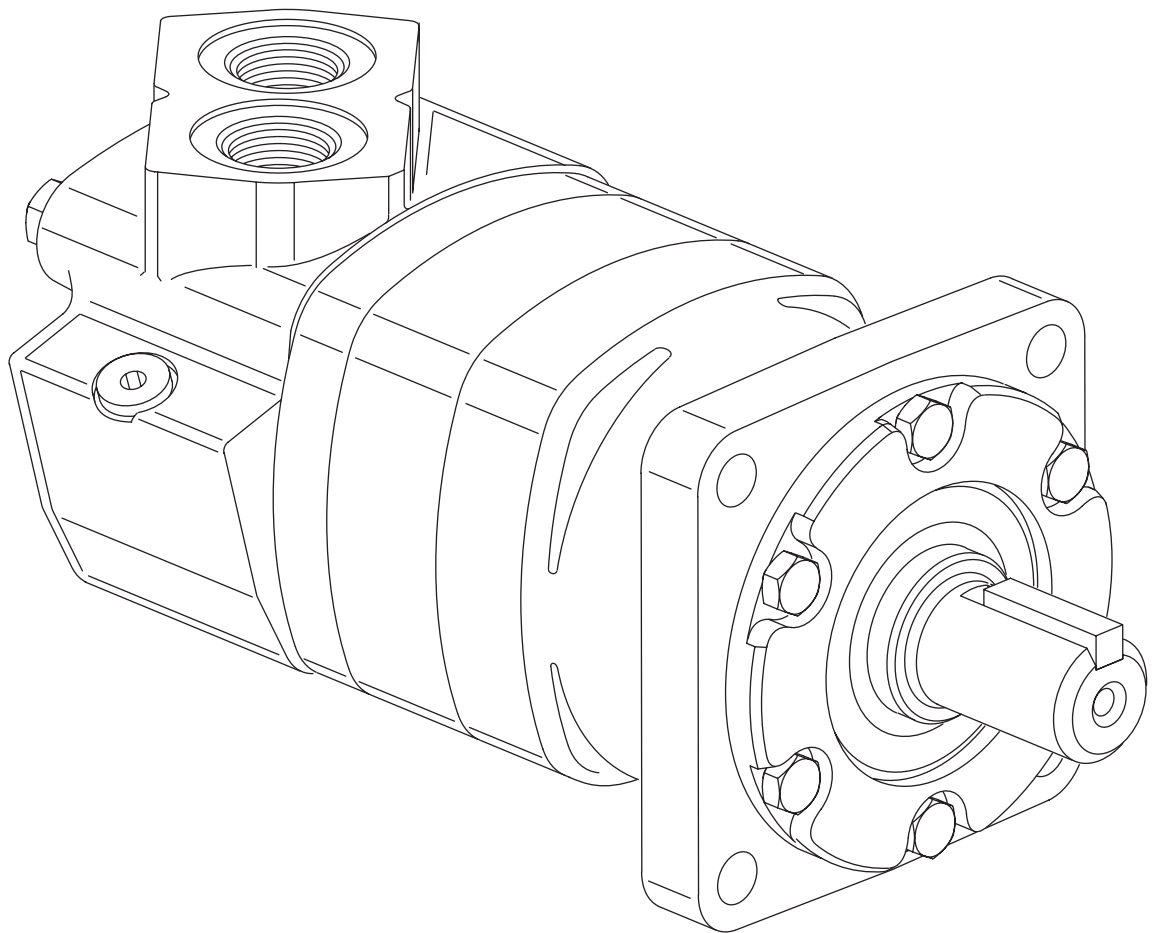
Eaton
Fluid Power Group
Hydraulics Business Asia Pacific
11th Floor Hong Kong New World Tower
300 Huaihai Zhong Road
Shanghai 200021
China
Tel: 86-21-6387-9988
Fax: 86-21-6335-3912

Char-Lynn®

Disc Valve Motors



Parts Information



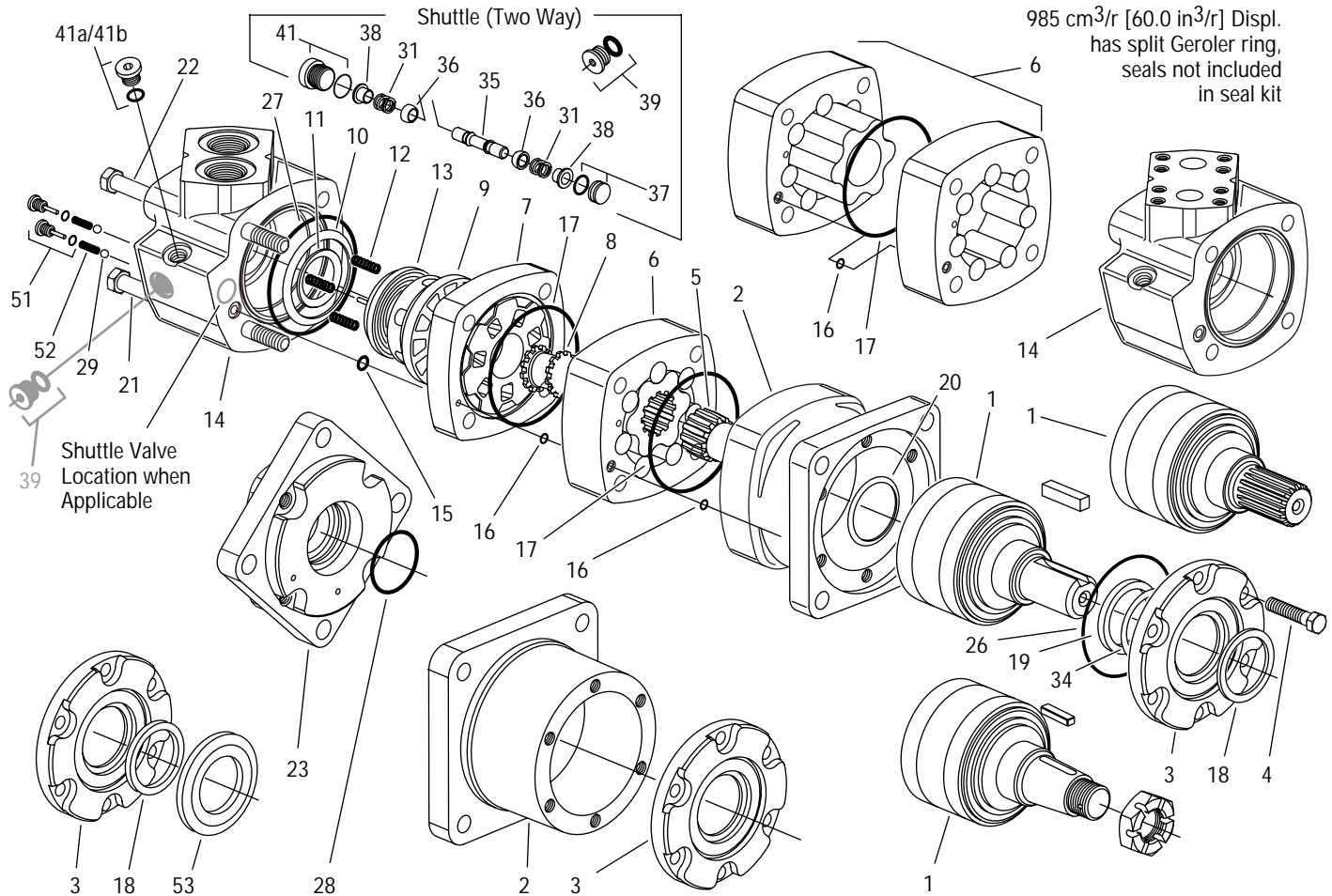
6000 Series (includes Big 6 see pages 4 and 5)
Geroler® Motors

-005 and -006

Disc Valve Motors — 6000 Series -005 and -006



Displacement cm ³ /r [in ³ /r]	Drive, Main Item No. 5—Part No./Length		Geroler® Item No. 6—Part No./Width		Screw, Cap Item No. 21 —Part No./Length		Screw, Cap Item No. 22—Part No./Length	
	Part No.	mm [inch]	Part No.	mm [inch]	Part No.	mm [in.]	Part No.	mm [in.]
195 [11.9]	21373-001	105,1 [4.14]	8507-001	21,7 [.85]	14409-001	125,7 [4.95]	14409-005	159,7 [6.29]
245 [15.0]	21373-002	110,7 [4.36]	8507-002	27,3 [1.07]	14409-002	132,1 [5.20]	14409-006	166,1 [6.54]
310 [19.0]	21373-003	118,1 [4.65]	8507-003	34,6 [1.36]	14409-003	138,4 [5.45]	14409-007	172,4 [6.79]
390 [23.9]	21373-004	127,0 [5.00]	8507-004	43,4 [1.71]	14409-004	148,1 [5.83]	14409-008	181,8 [7.16]
490 [30.0]	21373-005	138,2 [5.44]	8507-005	54,4 [2.14]	14409-005	159,7 [6.29]	14409-010	193,3 [7.61]
625 [38.0]	21373-007	152,8 [6.02]	8507-007	69,1 [2.72]	14409-007	172,4 [6.79]	14409-014	208,5 [8.21]
985 [60.0]	21373-006	192,8 [7.59]	8507-006	108,9 [4.29]	14409-012	213,6 [8.41]	14409-013	245,4 [9.66]



Item No.	Part Number -005	Part Number -006	Description	Quantity per Unit		
				Std.	Whl.	Brgl.
1	8711-001	201837-001	Shaft and Bearing Kit (1-1/2 inch Straight)	1	1	
	14393-010	14393-010	Key (for 1-1/2 Straight Shaft)	1	1	
	8711-002	201837-002	Shaft and Bearing Kit (1-3/4 in. Tapered)	1	1	
	8711-013	N/A	Shaft and Bearing Kit (1-3/4 in. Tapered — Special Shaft for Seal Guard)			1
	14230-000	14230-000	Nut, Hex (1-3/4 in. Tapered Shaft)	1	1	
	14394-007	14394-007	Key (for 1-3/4 in. Tapered Shaft)	1	1	
	8711-003	201837-003	Shaft and Bearing Kit (1-1/2 in. Splined 17T)	1	1	
	8711-010	201837-010	Shaft and Bearing Kit (40 mm Straight)	1	1	
	14458-006	14458-006	Key (for 40mm Straight Shaft)	1	1	
	2	8490-000	201839-001	Housing, Bearing (SAE CC) (Standard)	1	
8494-000		201839-002	Housing, Bearing (Wheel Mount)		1	
3	7547-000	201840-001	Retainer, Front	1	1	
4	14253-000	14253-000	Screw, Cap	6	6	

Disc Valve Motors — 6000 Series -005 and -006



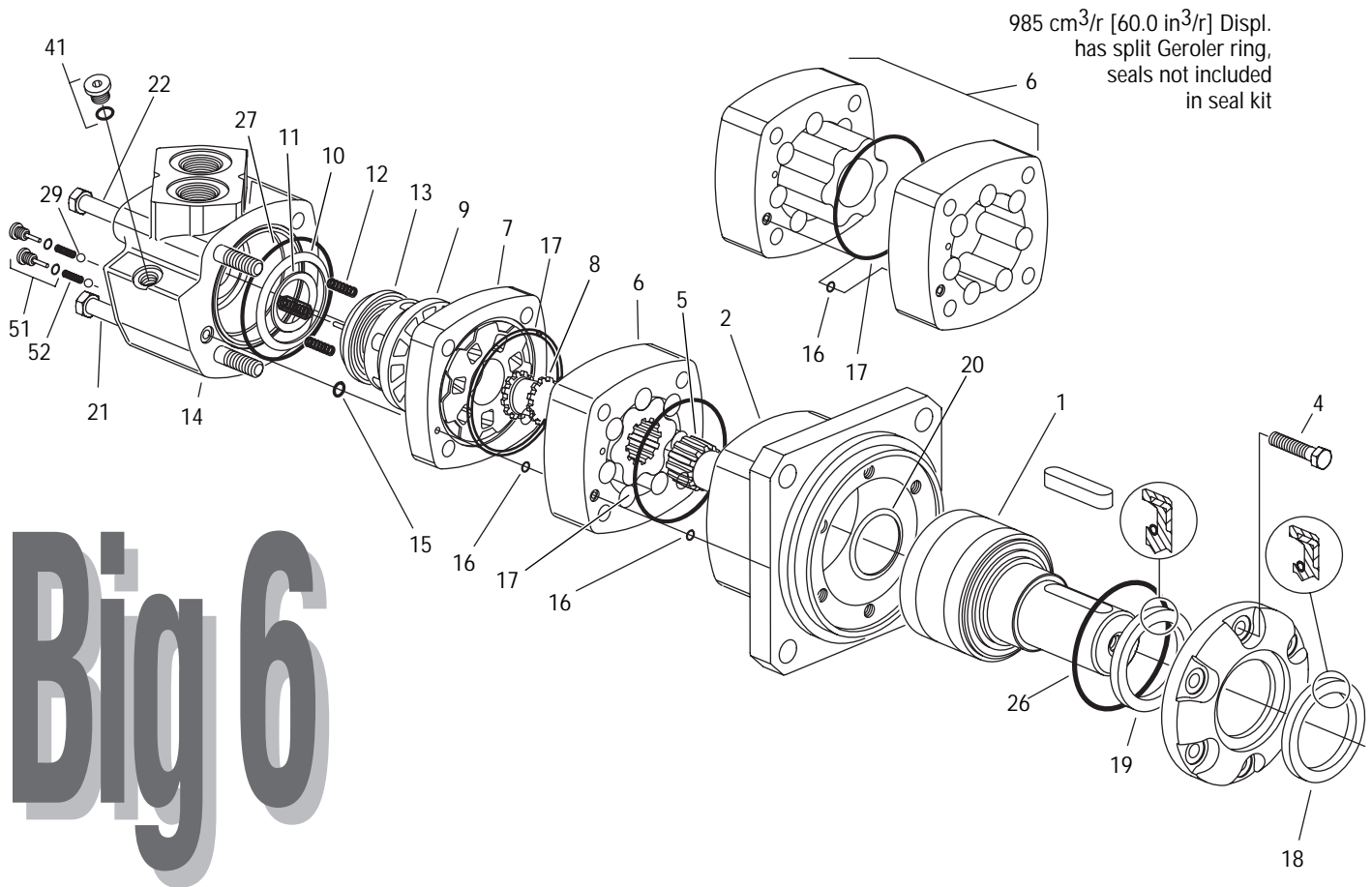
Item No.	Part No. -005	Part No. -006	Description	Quantity per Unit		
				Std.	Whl.	Brgl.
5	*	*	Drive, Main	1	1	1
6	*	*	Geroler®	1	1	1
7	21666-000	21666-000	Plate, Valve	1	1	1
8	8508-000	8508-000	Drive, Valve	1	1	1
9	8497-000	8497-000	Valve	1	1	1
OX 10	6992-000	6992-000	Seal, Face, Outer	1	1	1
OX 11	6993-000	6993-000	Seal, Face, Inner	1	1	1
12	6203-000	6203-000	Spring, Compression	3	3	3
13	21317 -000	21317 -000	Balance Ring w/ Pins	1	1	1
14	8502-004	8502-004	Housing, Valve (1-5/16 Str. Thrd. O-ring Ports — 7/16-20 Case Drain Port)	1	1	1
	23980-001	23980-001	Housing, Valve - Shuttle Valve Type (1-5/16 Str. Thrd. O-ring Ports — 9/16-18 Case Drain Port)	1	1	1
	8502-002	8502-002	Housing, Valve 3/4 in. Split Flange Ports — 7/16-20 Case Drain Port)	1	1	1
	8502-006	8502-006	Housing, Valve (G 1 (BSP) Ports — G 1/4 (BSP) Case Drain Port)	1	1	1
OX 15	15006-000	15006-000	Seal	1	1	1
OX 16	8765-010	8765-010	Seal	2	2	2
X† 17	250052-044	250052-044	Seal	2	2	2
† 18	9039-001	9039-001	Dust Seal	1	1	
† 19	9057-013	9057-013	Seal, Shaft	1	1	
† 20	9080-001	9080-001	Seal, Shaft Face	1	1	
21	*	*	Screw, Cap	2	2	2
22	*	*	Screw, Cap	2	2	2
23	8492-000	8492-000	Flange, Mounting, SAE C			1
OX 26	15039-000	15039-000	Seal	1	1	
OX 27	15062-000	15062-000	Seal	1	1	1
28	15128-000	15128-000	Seal			1
29	18026-000	18026-000	Ball, Steel	2	2	2
31	230079-000	230079-000	Spring	2	2	2
† 34	6991-000	6991-000	Ring, Back-up	1	1	
35	8566-000	8566-000	Piston Shuttle	1	1	1
36	8567-000	8567-000	Poppet	2	2	2
37	201868-002	201868-002	Plug Assembly	1	1	1
	14502-012	14502-012	O-ring	1	1	1
38	8755-000	8755-000	Sleeve, Dash Pot	1	1	1
39	9072-002	9072-002	Plug Assembly	1	1	1
	250003-903	250003-903	O-ring	1	1	1
41	9072-005	9266-006	Plug Assembly (9/16-18 Shuttle Valve End)	1	1	1
	250003-906	250003-906	O-ring	1	1	1
41a	9072-003	9266-003	Plug Assembly (7/16-20 Case Drain Plug)	1	1	1
	250003-904	250003-904	O-ring	1	1	1
41b	9072-002	9072-002	Plug Assembly (G 1/4 (BSP) Case Drain Plug)	1	1	1
	250003-904	250003-904	O-ring	1	1	1
51	8350-000	8350-000	Check Plug Assembly	2	2	2
X	250003-903	250003-903	O-ring	2	2	2
52	6464-000	6464-000	Spring, Compression	2	2	2
53	14628-003	14628-007	Guard, Seal	1	1	
	61238-000	61238-000	Seal Kit, Rear (Std. and Whl. Motors) — Contains Parts Indicated by X			
	61237-000	61237-000	Seal Kit, Shaft (Std. and Whl. Motors) — Contains Parts Indicated by †			
	61285-000	61285-000	Seal Kit, Complete Buna N with Viton Shaft Seal (Std. and Whl. Motors) — Contains Parts Indicated by X and †			
	61239-000	61239-000	Seal Kit, (Bearingless Motor Only) — Contains Parts Indicated by X			
	61250-000	61250-000	Seal Kit, Viton®** (Bearingless Motor Only)— Contains Parts Indicated by O			
	61246-000	61246-000	Seal Kit, Viton®** (Std. and Whl. Motors) — Contains Parts Indicated by X and †			
	61291-000	61293-000	Seal Kit, Shaft (Std. and Whl. Motors with special Tapered Shaft for Seal Guard — Shaft End Seals Only)			

* — See chart on opposite page.

Viton® is a registered trade name of Dupont Corporation.

** — Viton seal part numbers differ from part numbers shown above. Note: Back-up Ring (item 34) is not used with Viton shaft seal (item 19)

Displacement cm ³ /r [in ³ /r]	Drive, Main Item No. 5—Part No./Length		Geroler® Item No. 6—Part No./Width		Screw, Cap Item No. 21 —Part No./Length		Screw, Cap Item No. 22—Part No./Length	
	Part No.	mm [inch]	Part No.	mm [inch]	Part No.	mm [in.]	Part No.	mm [in.]
195 [11.9]	21373-001	105,1 [4.14]	8507-001	21,7 [.85]	14409-001	125,7 [4.95]	14409-005	159,7 [6.29]
390 [23.9]	21373-004	127,0 [5.00]	8507-004	43,4 [1.71]	14409-004	148,1 [5.83]	14409-008	181,8 [7.16]
490 [30.0]	21373-005	138,2 [5.44]	8507-005	54,4 [2.14]	14409-005	159,7 [6.29]	14409-010	193,3 [7.61]
625 [38.0]	21373-007	152,8 [6.02]	8507-007	69,1 [2.72]	14409-007	172,4 [6.79]	14409-014	208,5 [8.21]
737 [45.0]	21373-00X	000,0 [0.00]	8507-00X	000,0 [0.00]	14409-00X	000,0 [0.00]	14409-0XX	000,0 [0.00]
803 [49.0]	21373-00X	000,0 [0.00]	8507-00X	000,0 [0.00]	14409-00X	000,0 [0.00]	14409-0XX	000,0 [0.00]
985 [60.0]	21373-006	192,8 [7.59]	8507-006	108,9 [4.29]	14409-012	213,6 [8.41]	14409-013	245,4 [9.66]



Big 6

Item No.	Part Number -006	Description	Quantity per Unit
			Std.
1	201837-001	Shaft and Bearing Kit (50mm Straight)	1
	14393-010	Key (for 50mm Straight Shaft)	1
2	201839-001	Housing, Bearing — Global Mount (Similar to ISO 3019 / 2)	1
3	201840-001	Retainer, Front	1
4	14253-000	Screw, Cap	6

Big 6

Item No.	Part No. -006	Description	Quantity per Unit	
				Std.
5	*	Drive, Main		1
6	*	Geroler®		1
7	21666-000	Plate, Valve		1
8	8508-000	Drive, Valve		1
9	8497-000	Valve		1
X 10	6992-000	Seal, Face, Outer		1
X 11	6993-000	Seal, Face, Inner		1
12	6203-000	Spring, Compression		3
13	21317 -000	Balance Ring w/ Pins		1
14	8502-006	Housing, Valve (G 1 (BSP) Ports — G 1/4 (BSP) Case Drain Port)		1
X 15	15006-000	Seal		1
X 16	8765-010	Seal		2
X 17	250052-044	Seal		2
X 18	14850-001	Dust Seal		2
X 19	14858-001	Seal, Shaft		1
X 20	9080-001	Seal, Shaft Face		1
21	*	Screw, Cap		2
22	*	Screw, Cap		2
X 26	15039-000	Seal		1
X 27	15062-000	Seal		1
29	18026-000	Ball, Steel		2
41	9170-002	Plug Assembly (G 1/4 (BSP) Case Drain Plug)		1
	250003-904	O-ring		1
51	8350-000	Check Plug Assembly		2
X	250003-903	O-ring		2
52	6464-000	Spring, Compression		2
	61315-000	Seal Kit, Complete Buna N with Viton Shaft Seal — Contains Parts Indicated by X		

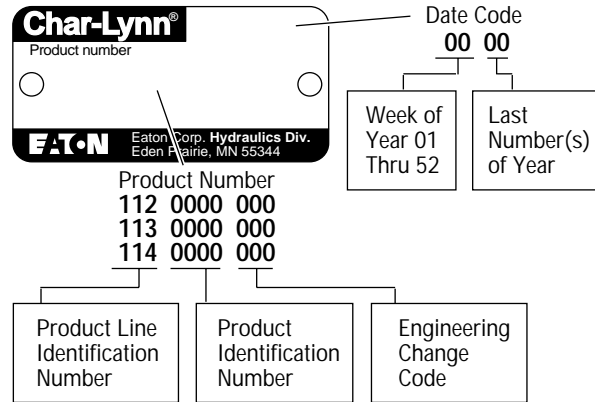
How to Order Replacement Parts

Each Order Must Include the Following:

1. Product Number
2. Date Code
3. Part Name
4. Part Number
5. Quantity of Parts

For More Detailed Information Contact Eaton Corp. Hydraulics Division 15151 Highway 5 Eden Prairie, MN 55344.

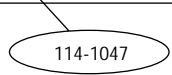
- Specifications and performance data, Catalog No. 11-878
- When servicing 6000 Series Motors refer to Repair Information No. 7-119. This repair manual lists tools required, and step by step disassembly and reassembly procedures.



Product Numbers—6000 Series Motors

Use digit prefix —112-, 113-, or 114- plus four digit number from charts for complete product number—**Example 114-1047.**

Mounting	Shaft	Ports	Displacement cm ³ /r [in ³ /r] and Product Number						
			195 [11.9]	245 [15.0]	310 [19.0]	390 [23.9]	490 [30.0]	625 [38.0]	985 [60.0]
Standard	1-1/2 inch Straight	1-5/16 O-ring	112-1064	-1065	-1066	-1067	-1068	-1107	-1069
	40 mm Straight	G 1 (BSP)	112-1094	-1095	-1096	-1097	-1098	—	-1099
	1-1/2 Inch 17 T Splined	1-5/16 O-ring	112-1058	-1059	-1060	-1061	-1062	-1109	-1063
		G 1 (BSP)	112-1088	-1089	-1090	-1091	-1092	—	-1093
Wheel Motor	40 mm Straight	G 1 (BSP)	113-1082	-1083	-1084	-1085	-1086	-1100	-1087
	1-3/4 Inch Tapered	1-5/16 O-ring	113-1070	-1071	-1072	-1073	-1074	-1093	-1075
Bearingless		1-5/16 O-ring	114-1031	-1032	-1033	-1034	-1035	-1055	-1036
		G 1 (BSP)	114-1043	-1044	-1045	-1046	-1047	—	-1048



Big 6

How to Order Replacement Parts

Each Order Must Include the Following:

1. Product Number
2. Date Code
3. Part Name
4. Part Number
5. Quantity of Parts

For More Detailed Information Contact Eaton Corp. Hydraulics Division 15151 Highway 5 Eden Prairie, MN 55344.

- Specifications and performance data, Catalog No. 11-878
- When servicing 6000 Series Motors refer to Repair Information No. 7-119. This repair manual lists tools required, and step by step disassembly and reassembly procedures.

Product Numbers – 6000 Series (Big 6)

Mounting Type - Standard (Code H), 4 Bolt:

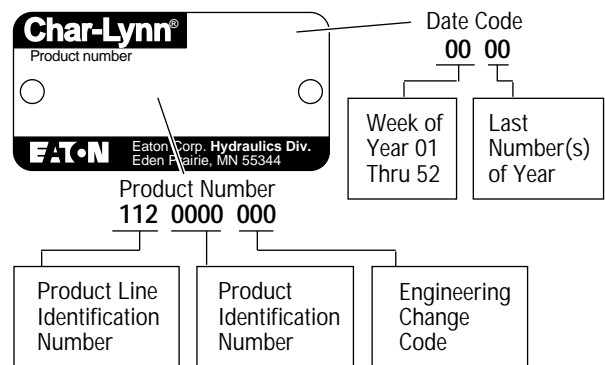
- 160,0 [6.30] Pilot Dia.
- 18,01 [.709] Dia. Mounting Holes
- 200,0 [7.87] Dia. Bolt Circle

Output Shaft - Straight (Code 21)

Ports - G1 (BSP) Staggered G 1/4 Case Drain (Code C)

Paint - Low Gloss Black

Use digit prefix —112- plus four digit number from charts for complete product number—**Example 112-1215.**
Orders will not be accepted without three digit prefix.



Mounting	Shaft	Ports	Displacement cm ³ /r [in ³ /r] and Product Number						
			310 [19.0]	390 [23.9]	490 [30.0]	625 [38.0]	737 [45.0]	800 [49.0]	985 [60.0]
Standard	50 mm Straight	G 1 (BSP)	112-1217	-1218	-1215	-1216	-1247	-1219	-1220

112-1215

Eaton
Fluid Power Group
Hydraulics Business USA
14615 Lone Oak Road
Eden Prairie, MN 55344
USA
Tel: 952-937-9800
Fax: 952-294-7722
www.eaton.com/hydraulics

Eaton
Fluid Power Group
Hydraulics Business Europe
Route de la Longeraie 7
1110 Morges
Switzerland
Tel: +41 (0) 21 811 4600
Fax: +41 (0) 21 811 4601

Eaton
Fluid Power Group
Hydraulics Business Asia Pacific
11th Floor Hong Kong New World Tower
300 Huaihai Zhong Road
Shanghai 200021
China
Tel: 86-21-6387-9988
Fax: 86-21-6335-3912