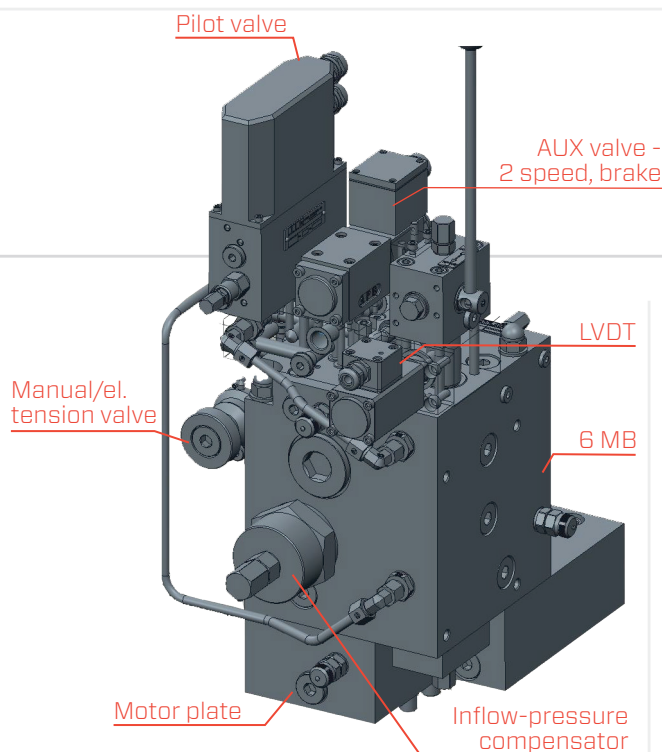


# SPOOL FEEDBACK

## Closed Loop Control

- Spool feedback sensor (LVDT) with integrated electronics
- Hysteresis, repeatability, response time are significant improved with HPRS
- For use on all Hydranor Blocks and Valves
- Here typical used on 6MB winch block
- Digital Amplifier DMA-22-03-080-S5V



DESCRIPTION	DATA
Communication, output	4-20 mA
Supply Voltage	24 VDC
LVDT stroke	max 5 mm
Protection Clas	IP67±
Ambient temperature	-40°C-70°C
Atex/IECEX approved	II 2G Ex d IIB T6 Gb

TYPICAL PERFORMANCE	
Hysterisis	> 98 %
Repeatability	> 98 %
Step response	< 100 ms

TYPICAL COMMAND/FLOW

