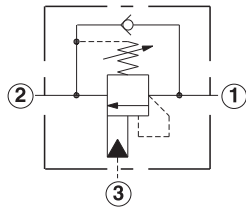
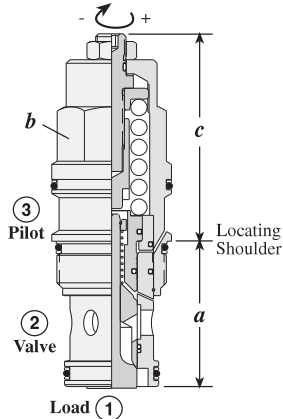


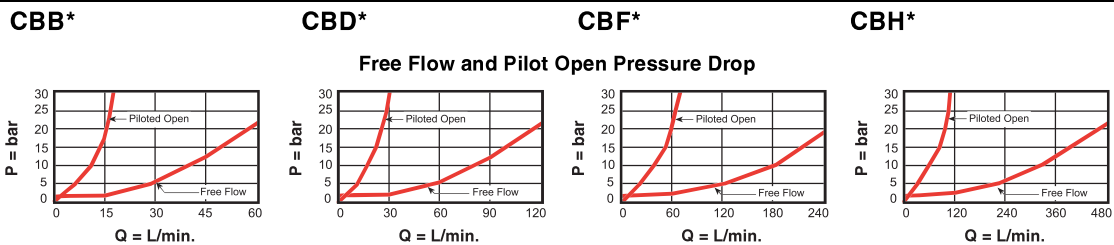
RESTRICTIVE, 350 BAR MAXIMUM SETTING

Turn screw clockwise to reduce setting and release load.
Complete Adjustment 3 3/4 Turns



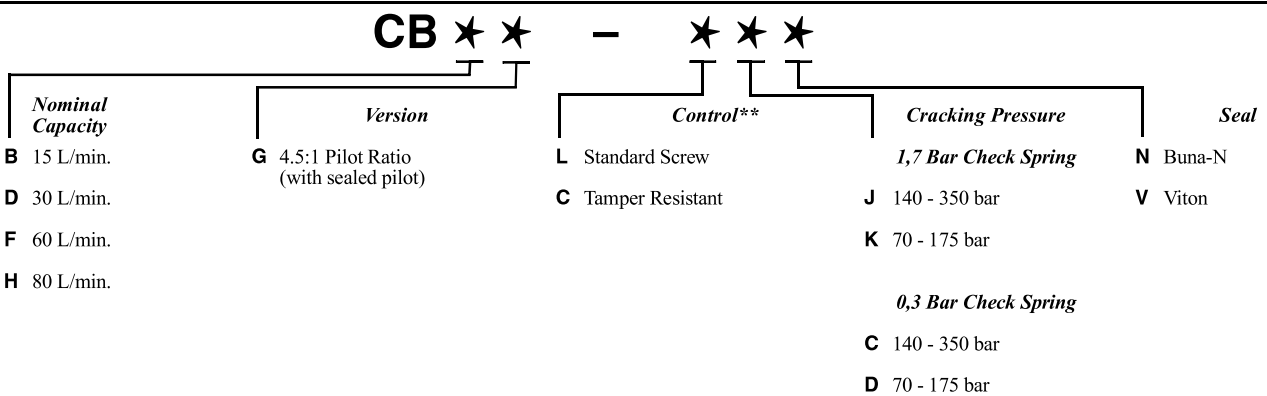
Capacity	Typical Cartridge Model Code	Cavity	Cartridge Dimensions				Installation Torque (Nm)
			a	b	c		
					L	C	
15 L/min.	CBBG – LJN	T - 11A	34,9	22,2	50	56	40/50
30 L/min.	CBDG – LJN	T - 2A	34,9	28,6	61	64	60/70
60 L/min.	CBFG – LJN	T - 17A	46	31,8	70	84	200/215
80 L/min.	CBHG – LJN	T - 19A	63,5	41,3	90	104	465/500

Performance Curves



- Restrictive valves have no relief capacity other than as a thermal relief.
- Load holding to 270 bar with 350 bar valve setting
- Maximum valve leakage at reseal = 0,4 cc/min.
- Reseat exceeds 85% of set pressure
- Factory pressure setting established at 32,8 cc/min.
- Counterbalance valves should be set at least 1.3 times the maximum load induced pressure.
- Back pressure at port 2 adds to the effective relief setting at a ratio of 1 plus the pilot ratio times the back pressure.

OPTION ORDERING INFORMATION Model Codes printed in Red are Preferred Versions and most readily available



Adjustment Range Options:
J and C are standard set at 210 bar.
K and D are standard set at 140 bar.
Customer may specify setting.
** See page 162 for information on Control Options

Visit www.sunhydraulics.com for detailed and complete technical information on our full line of products.

