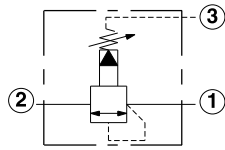
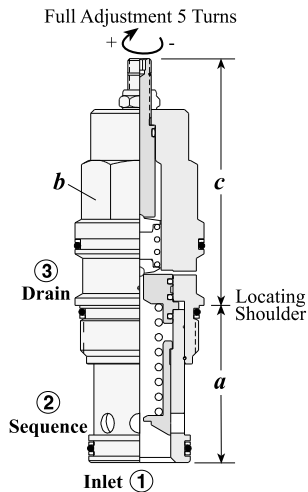
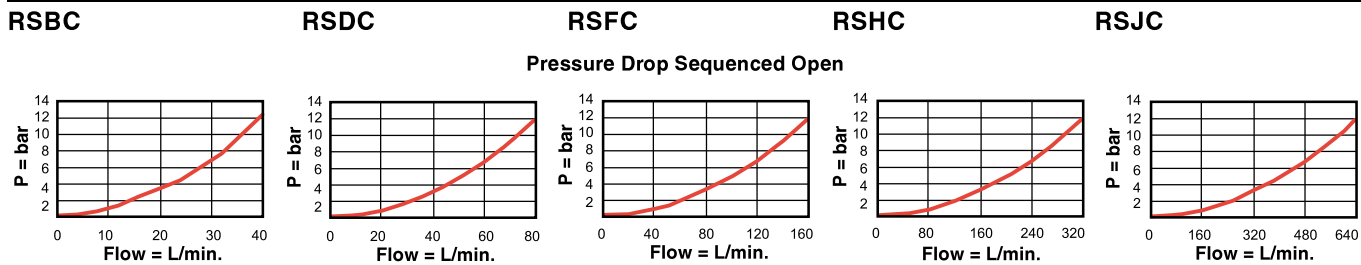


PILOT OPERATED, BALANCED PISTON



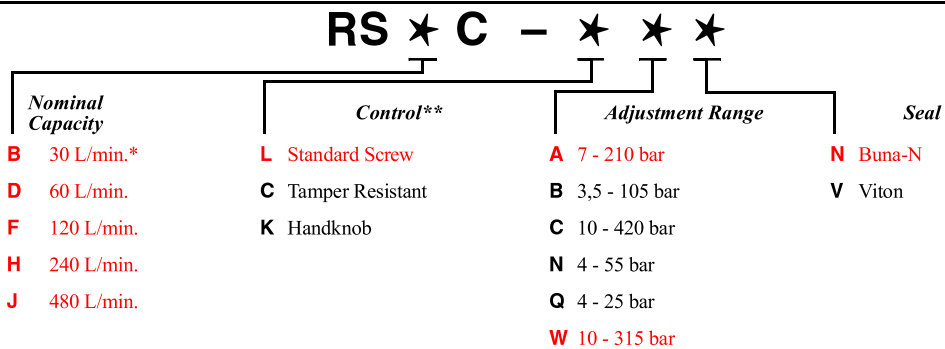
Capacity	Typical Cartridge Model Code	Cavity	Cartridge Dimensions					Installation Torque (Nm)
			a	b	c			
					L	C	K	
30 L/min.	RSBC - LAN	T - 163A	31	19,1	65	67	71	35/40
60 L/min.	RSDC - LAN	T - 11A	34,9	22,2	64	66	70	40/50
120 L/min.	RSFC - LAN	T - 2A	34,9	28,6	72	74	78	60/70
240 L/min.	RSHC - LAN	T - 17A	46	31,8	84	86	90	200/215
480 L/min.	RSJC - LAN	T - 19A	63,5	41,3	100	104	107	465/500

Performance Curves



- Maximum operating pressure = 350 bar
- Maximum leakage = RSDC: 32,8 cc/min./70 bar, RSFC: 49,2 cc/min./70 bar, RSHC: 65,5 cc/min./70 bar, RSJC: 81,9 cc/min./70 bar.
- Typical response time 10 ms
- Pressure at port 3 is directly additive to the valve setting at a 1:1 ratio and should not exceed 350 bar.
- Pilot flow continues to increase as the pressure at port 1 (inlet), relative to the pressure at port 3 (drain), rises above the valve setting.
- RSBC minimum setting is 5 bar for all spring ranges.

OPTION ORDERING INFORMATION Model Codes printed in Red are Preferred Versions and most readily available



Adjustment Range Options:
 A, B, C, and W are standard set at 70 bar.
 N Option is standard set at 25 bar.
 Q Option is standard set at 14 bar.
 * Minimum setting 5 bar on all ranges.
 Customer may specify pressure setting.

** See page 162 for information on Control Options

Visit www.sunhydraulics.com for detailed and complete technical information on our full line of products.