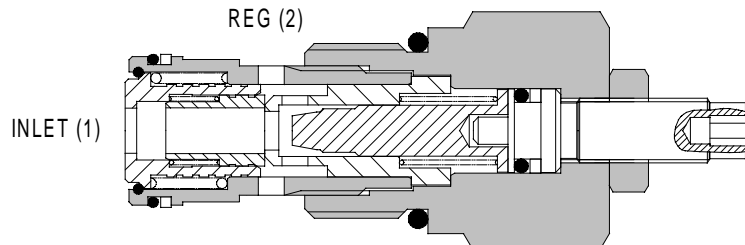
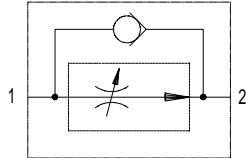




2CFRC SERIES PRESSURE COMPENSATED FLOW REGULATOR - RESTRICTIVE, WITH REVERSE CHECK

2CFRC60



APPLICATION

The 2CFRC60 is a two-port, restrictive flow regulator with a built in free flow check valve. Typical uses include the control of actuator speed by regulating the flow into or out of the actuator (meter-in or meter-out).

9

The flow (and actuator speed) will be largely independent of the load and the pressure conditions. If used to restrict flow from a fixed supply, for example a standard gear or piston pump, the valve will pass the required flow and any surplus flow will normally pass over the system relief valve.

OPERATION

Flow into the inlet of the valve passes through the adjustable orifice and out of the regulated port. The pressure drop across the orifice is sensed on the regulating sleeve and produces a force which, at the required flow rate, overcomes the spring force. The resultant movement of the sleeve regulates the flow by closing the radial valve ports.

The inbuilt check allows free return of flow (2 to 1).

FEATURES

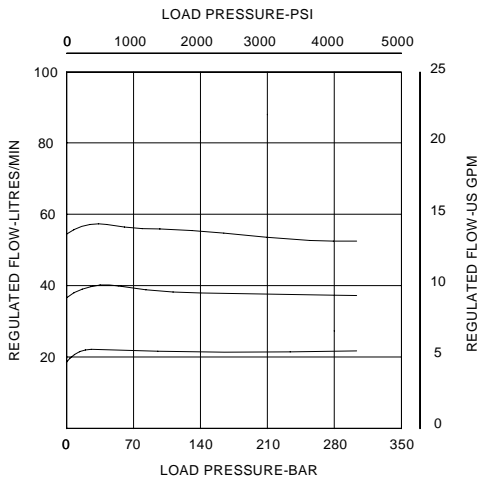
Cartridge construction gives versatility of applications. A valve may be fitted into a line body, a custom designed Hydraulic Integrated Circuit or directly into a cylinder or other actuator. Leakproof adjust screw gives easy, accurate adjustment to required flow setting. Hardened and ground working parts give accurate flow control and long working life.

SPECIFICATIONS

Figures based on: Oil Temp = 40°C Viscosity = 40 cSt

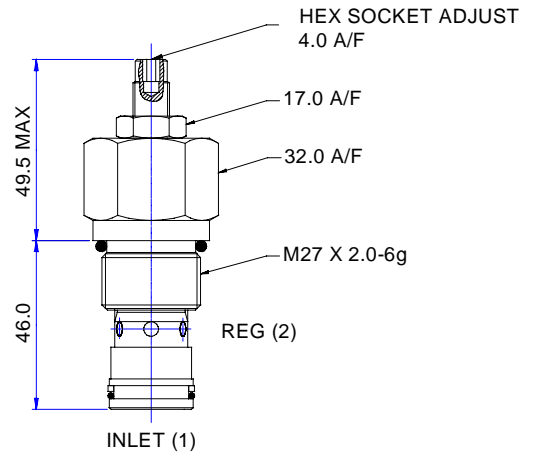
Rated Flow	4 to 60 litres/min (1 to 16 US GPM)	
Max Pressure	350 bar (5000 psi)	
Cartridge Material	All working parts hardened and ground steel. Zinc plated body.	
Body Material	Standard aluminium Add suffix '377' for steel option.	
Mounting Position	Unrestricted	
Cavity Number	A7447 (See Section 17)	
Torque Cartridge into Cavity	75 Nm (55 lbs ft)	
Weight	2CFRC60	0.29 kg (0.64 lbs)
	2CFRC65	0.75 kg (1.65 lbs)
Seal Kit Number	SK578 (Nitrile)	SK578V (Viton)
Recommended Filtration Level	BS5540/4 Class 18/13 (25 micron nominal)	
Operating Temp	-20°C to +90°C	
Nominal Viscosity Range	5 to 500 cSt	

PERFORMANCE



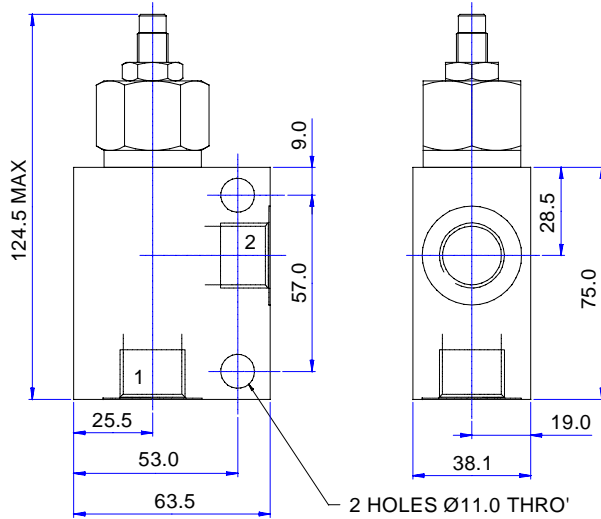
CARTRIDGE ONLY

BASIC CODE: 2CFRC60



COMPLETE VALVE 1/2" PORTS

BASIC CODE: 2CFRC65



Where measurements are critical request certified drawings

ORDERING CODE EXAMPLE

2CFRC P 4W 4 S**

Basic Code

Adjustment Means

P = Leakproof Screw Adjustment
R = Handknob Adjustment
(See page 9-102 for dimensions)

Port Sizes - Bodied Valves Only

4W = 1/2" BSP 8T = 1/2" SAE

Seals

S = Nitrile (For use with most industrial hydraulic oils)
SV = Viton (For high temperature and most special fluid applications)

Adjustable Flow Range

4 = 4-40 litres/min. Std setting 30 litres
6 = 6-60 litres/min. Std setting 40 litres

We reserve the right to change specifications without notice