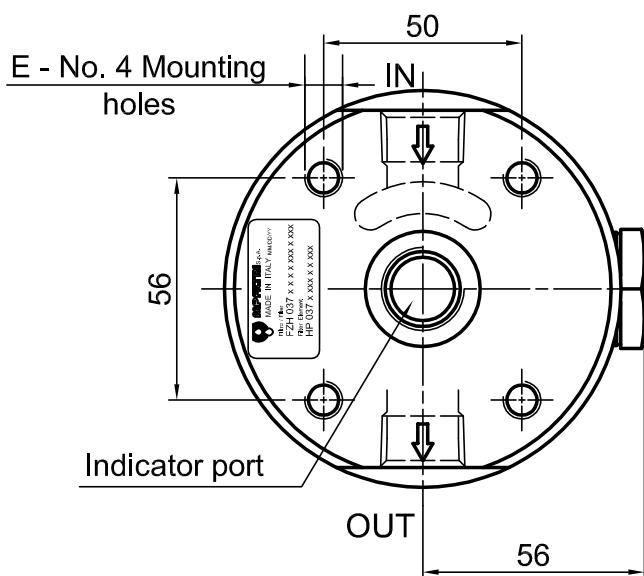
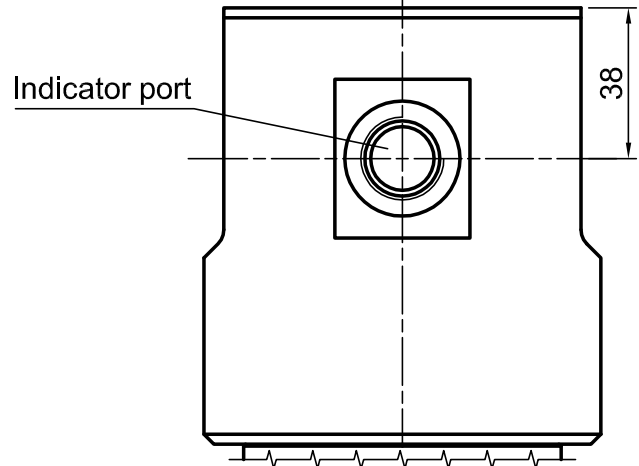


Option P03 with 90° indicator port


**Filter body (Materials):**

- Head    Stainless steel AISI 316
- Bowl    Stainless steel AISI 316
- Seals   NBR (Buna-N) - FPM (Viton) - EPDM
- Valve   Steel / Stainless steel AISI 316

Working Pressure: 700 bar

Working temperature: From -25°C to +110 °C

Bypass valve setting: 6 bar ±10%

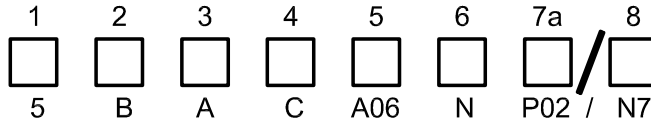
**Compatibility**  
 with fluids: In according to ISO 2943

Lengths	
Type	H
1	200
5	243
2	287

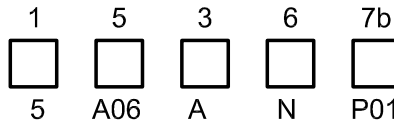
Thread connections		
Type	A	E
A	1/2" BSP	M10
B	1/2" NPT	3/8" UNC
C	SAE 8 - 3/4"-16UNF-2B	3/8" UNC

**Filter assembly  
FZH 037**

Example: FZH037


**Filter element  
HP 037**

Example: HP037


**1 - Housing / Element Length**

1	H = 200 mm
5	H = 243 mm
2	H = 287 mm

**2 - Valve**

S	Without Bypass
B	With Bypass
T	With Check Valve
D	With Bypass & Check Valve
V	With Reverse Flow
Z	With Reverse Flow & Bypass

**3 - Seals**

A	NBR (Buna N)	V	FPM (Viton)
E	EPDM		

**4 - Connections**

A	1/2" BSP
B	1/2" NPT
C	SAE 8 - (3/4-16UNF 2B)

**5 - Filter element**

A03	Inorganic microfibre	3µm	} β <sub>x</sub> ≥ 1000
A06	"	6µm	
A10	"	10µm	
A16	"	16µm	
A25	"	25µm	
M25	Square wire mesh		

**6 - Collapse pressure Filter element**

N	20 bar	Z	20 bar	} Tube, EndCap & Valve AISI 316
H	210 bar	U	210 bar	
R	20 bar (Filter with Revers Flow)			
S	210 bar (Filter with Revers Flow)			

**7 - Options**
**a) Filter**

P01	MP Filtri with standard indicator port
P02	MP Filtri without indicator port
P03	MP Filtri with 90° indicator port
Pxx	Customer request

**b) Filter Element**

P01	MP Filtri
Pxx	Customer request

**8 - Indicators**

T2X	Plug		
V7X	Visual 5 bar	Z7X	Visual (pop-up) 5 bar
V8X	" 7 bar	Z8X	Visual (pop-up) 7 bar
N7X	Electrical 5 bar		
N8X	" 7 bar		
E7X	Visual-electrical 5 bar		
E8X	" " 7 bar		
K7X*	" " 5 bar		* { 1 - Tension 24 Volt 2 - Tension 110 Volt 3 - Tension 220 Volt
K8X*	" " 7 bar		

**MP Filtri S.p.A. Italy**

 Tel: +39.02.95703.1  
 Fax: +39.02.95741497 / 95740188  
 email: sales@mpfiltri.com  
 http: www.mpfiltri.com

**MP Filtri USA Inc.**

 Tel: +1.215-529-1300  
 Fax: +1.215.529-1902  
 email: sales@mpfiltriusa.com  
 http: www.mpfiltriusa.com

**MP Filtri UK Ltd**

 Tel: +44.01451.822522  
 Fax: +44.01451-822282  
 email: sales@mpfiltri.co.uk  
 http: www.mpfiltri.co.uk

**MP Filtri D GmbH**

 Tel: +49.06806-85022.0  
 Fax: +49.06806-85022.18  
 email: service@mpfiltri.de  
 http: www.mpfiltri.de

**MP Filtri France**

 Tel: +33.04-50-71-64-80  
 Fax: +33.04-50-71-73-32  
 email: mpfiltrifrance@wanadoo.fr

**MP Filtri CANADA Inc.**

 Tel: +1.905.303.1369  
 Fax: +1.905-303-7256  
 email: sales@mpfiltricanada.com  
 http: www.mpfiltricanada.com