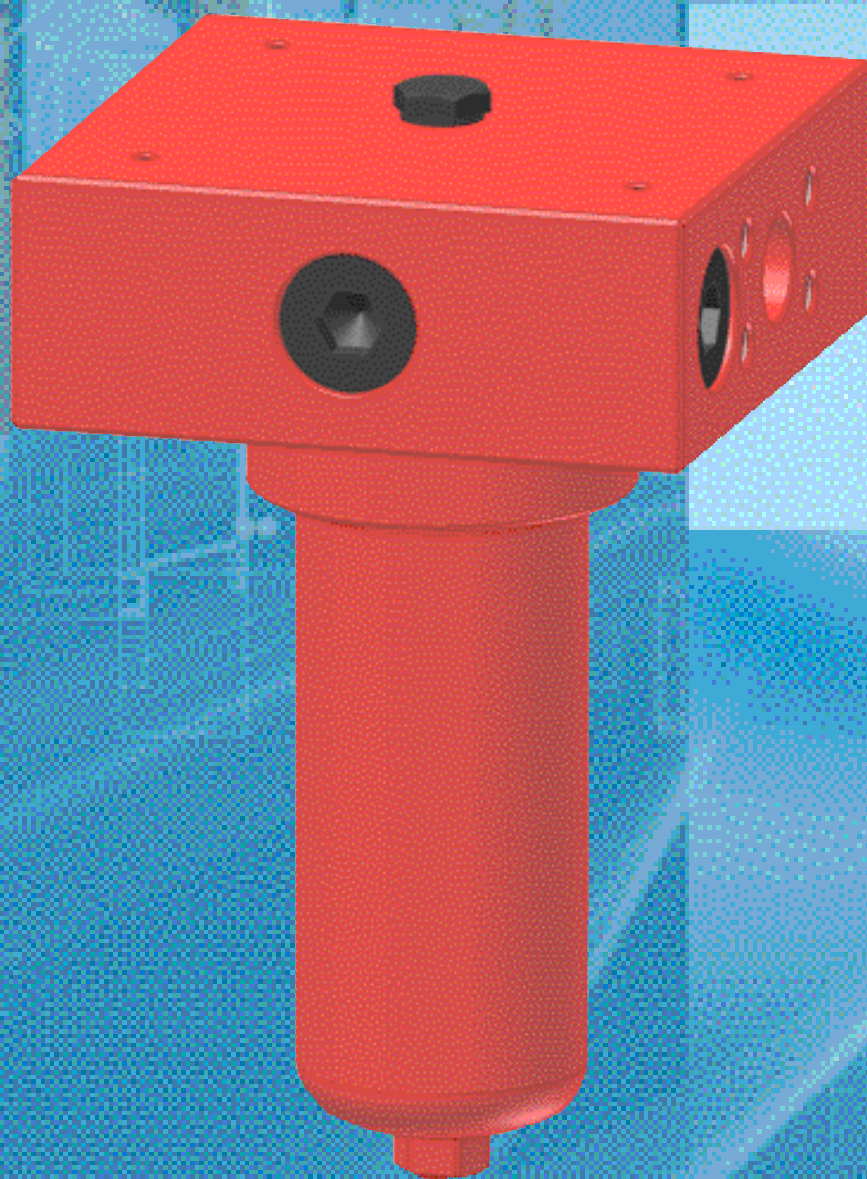
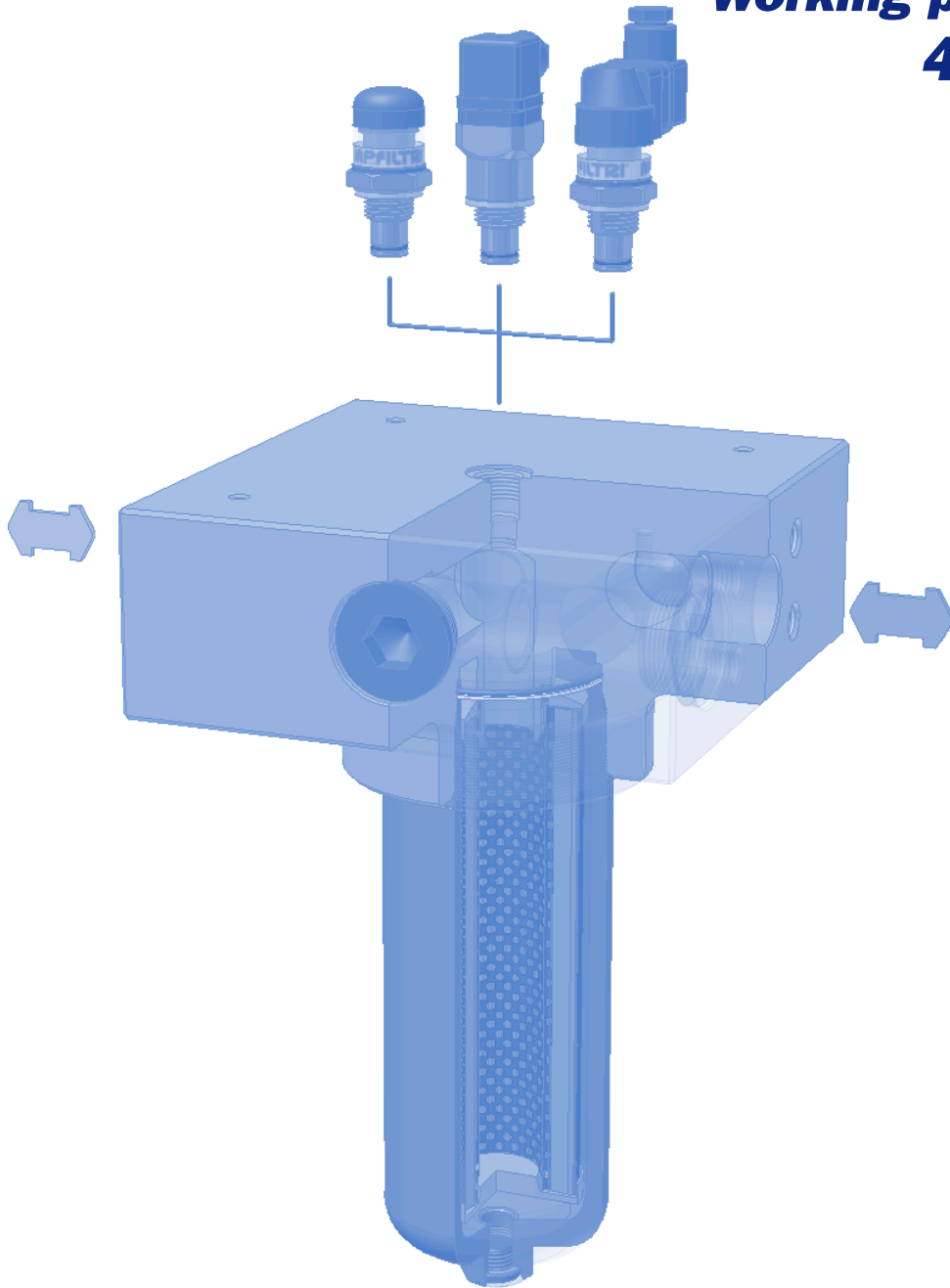


# FHZ 320

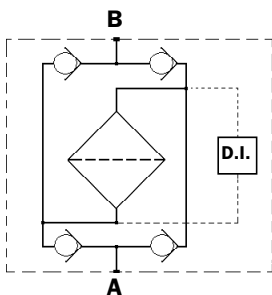


# FHZ **SERIES** **320**

**Working pressure**  
**420 bar**



Style Z



# Technical data

## Filter body (Materials)

- Head: Cast iron (chemical heat treatment)
- Housing: Steel (chemical heat treatment)
- Check valves: Steel

## Pressure

- Maximum operating pressure: 420 bar (42 MPa)
- Test pressure: 630 bar (63 MPa)
- Burst pressure: 1250 bar (125 MPa)
- Pulsed pressure fatigue test 1,000,000 cycles with pressure from 0 to 420 bar (42 MPa)

## Temperature

- From -25°C to + 110°C

## Elements type $\Delta p$

- Elements in microfibre series S : 210 bar
- Elements in stainless steel mesh series H : 210 bar
- Oil flow from exterior to interior.

## Seals

- Standard Nitrile (NBR) series A
- Optional FPM series V

## Weights without filter elements (kg)

Length	1	2	3	4
• FHZ320	37.5	40	44.5	50

## Filter internal volumes (dm<sup>3</sup>)

Length	1	2	3	4
• FHZ320	2.54	3.25	4.03	4.95

## Connections

In-line Inlet/Outlet  
Panel Inlet/Outlet

## Compatibility

- Bodies compatible with:  
Mineral oils to ISO 2943 - aqueous emulsions  
synthetic fluids, water glycol.
- Filter elements compatible with:  
Mineral oils to ISO 2943 - aqueous emulsions  
synthetic fluids, water glycol.
- Nitrile (NBR) seals series A, compatible with:  
Mineral oils to ISO 2943 - aqueous emulsions  
synthetic fluids, water glycol.
- V series FPM seals, compatible with:  
Synthetic fluids type HS-HFDR-HFDS-HFDU.

## Filter Element Area

Filter element in stainless steel mesh  
Length

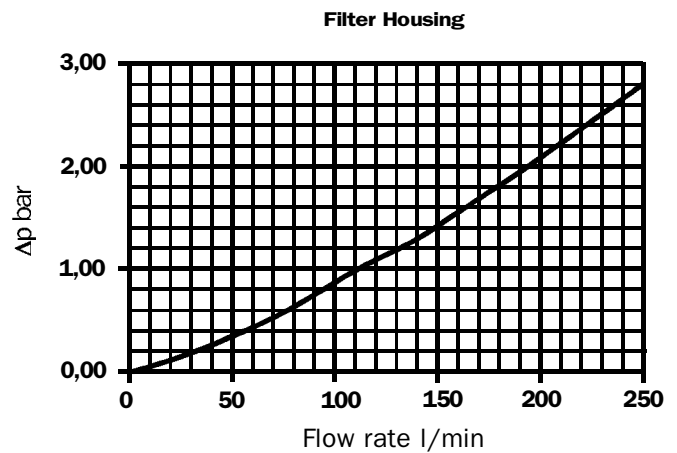
Type	1	2	3	4
HP320	1650	3645	5970	8280

Values expressed in cm<sup>2</sup>

## Pressure drops $\Delta p$ Housing

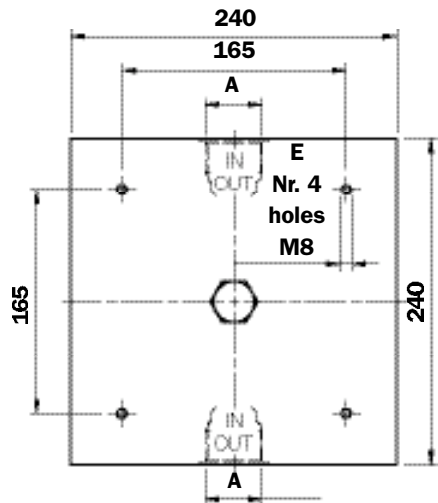
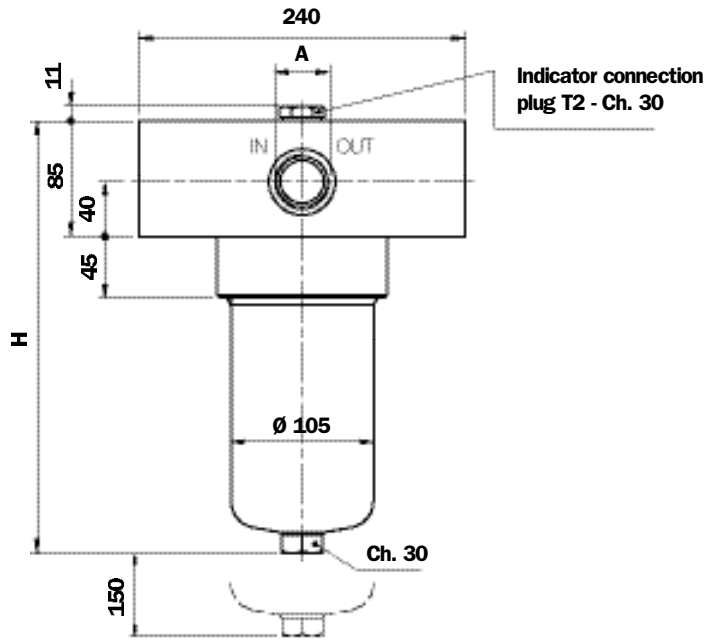
The curves are plotted using mineral oil with density of 0.86 kg/dm<sup>3</sup> to ISO 3968.

$\Delta p$  varies proportional with density.

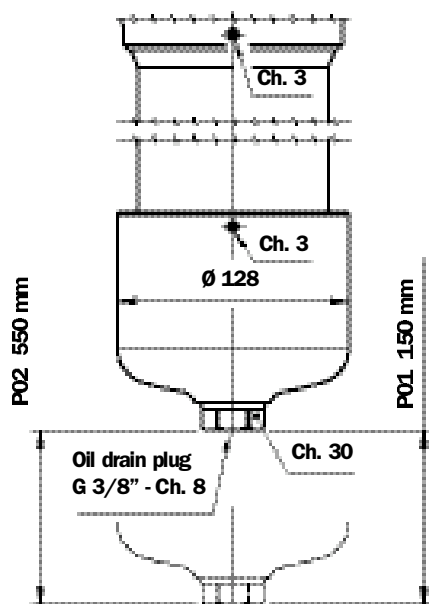


# FHZ 320

## Dimensions



Only for FHZ 320 length 4



### Recommended maximum flow rate

- Pressure drop of complete filter equal to  $\Delta p$  2.5 bar.
- Oil kinematic viscosity 30 mm<sup>2</sup>/s (cSt).
- Density 0.86 kg/dm<sup>3</sup>.

Filter element type	Flow rate l/min Series S	Filter Length
A03	115	1
A06	120	
A10	155	
A16	160	
A25	170	
T10	215	2
A03	160	
A06	170	
A10	192	
A16	195	
A25	208	3
T10	220	
A03	180	
A06	190	
A10	205	
A16	208	4
A25	215	
T10	220	
A03	190	
A06	195	
A10	210	
A16	210	
A25	215	
T10	225	

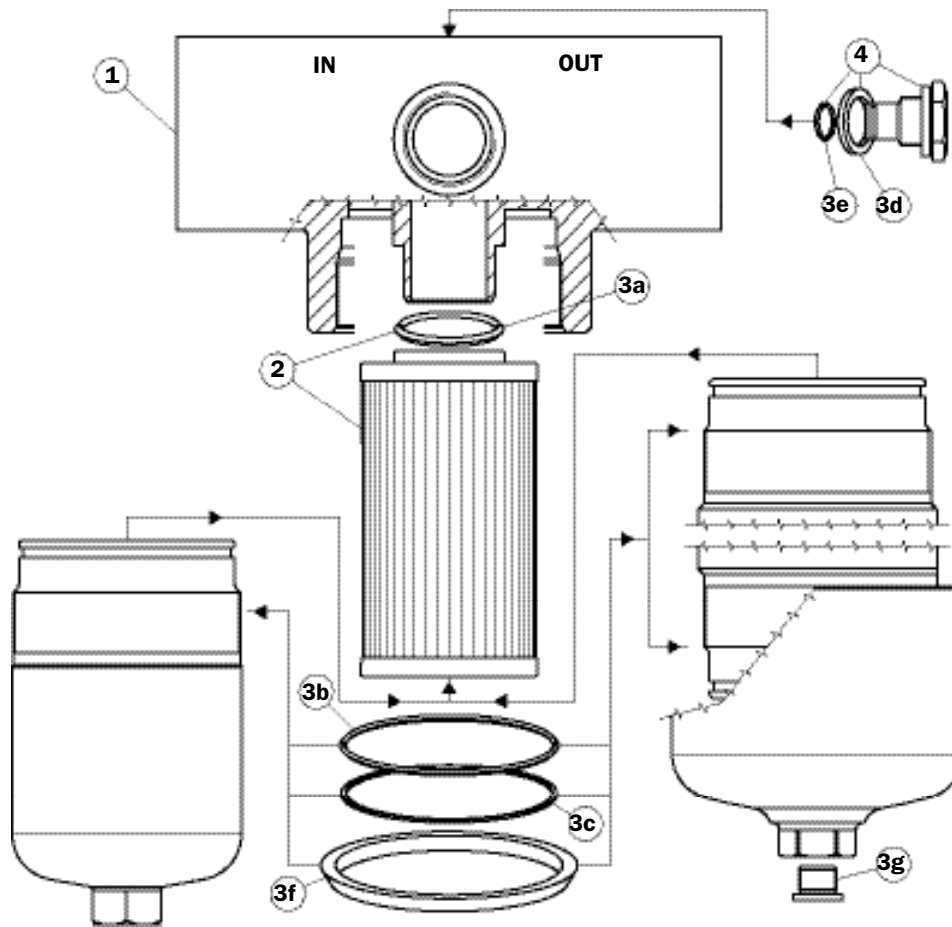
A	E
Flanged connection	Depth 15 mm
G 1 1/4"	M12
G 1 1/4" NPT	1/2" UNC
SAE 20 (1 5/8"- 12 UN)	1/2" UNC

A	E
Flanged connection	Depth 15 mm
1 1/2" SAE 6000 psi/M	M12
1 1/2" SAE 6000 psi/UNC	1/2" UNC

Filter Length	H mm
1	253
2	376
3	508
4	663

Style P01 standard maintenance from head.  
Style P02 maintenance option from housing base.

# Spare parts FHZ



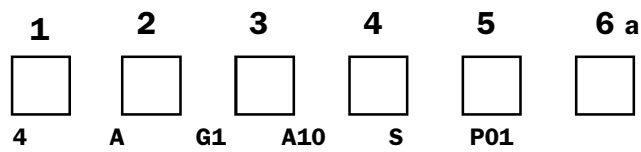
Pos.	Description	Qty.	FHZ 320 Series FILTER 320 1 - 2 - 3 - 4	
1	Complete filter	1	See order table	
2	Filter element	1	See order table	
3	Seals kit	1	NBR 02050416	FPM 02050417
3a	O-Ring for filter element	1	OR 144 Ø 33.69 x 3.53	
3b	O-Ring for housing	2	OR 3350 Ø 88.57 x 2.62	
3c	Anti-extrusion ring	2	Parbak 153 Ø 89.36 x 2.18	
3d	Bonded seal	1	G 1/2" - FPM	
3e	O-Ring	1	OR 2050 Ø 12.42 x 1.78 - FPM	
3f	Protection seal	1	01026510	
3g	Oil drain plug	1	G 3/8" with seal	
4	Indicator connection plug	1	T2	
-	Indicator	1	See order table	

# Ordering information FHZ

## Filter assembly

### FHZ320

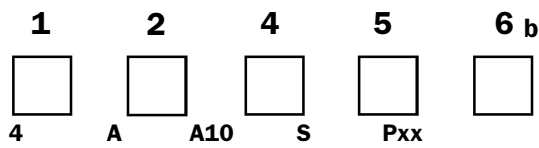
Example: FHZ320



## Filter element

### HP 320

Example: HP320



## 1 - Filter length

- 1
- 2
- 3
- 4

## 2 - Seals

- A** NBR
- V** FPM

## 3 - Connections

- G1** G 1 1/4"
- G2** 1 1/4" NPT
- G3** SAE 20 (1 5/8" 12 UN)
- F1** 1 1/2" SAE 600 PSI - M
- F2** 1 1/2" SAE 600 PSI - UNC

## 4 - Filter elements

- A03** Inorganic microfibre 3 µ
  - A06** Inorganic microfibre 6 µ
  - A10** Inorganic microfibre 10 µ
  - A16** Inorganic microfibre 16 µ
  - A25** Inorganic microfibre 25 µ
  - M25** Stainless steel mesh 25 µ (style H only)
- βx (c) ≥ 1000  
See page 9

## 5 - Filter elements differential pressure

- H** 210 bar
- S** 210 bar

## 6 - Options

- P01** MP Filtri standard
- P02** MP maintenance from housing base  
(only for length 4)
- Pxx** Customer request

DIFFERENTIAL INDICATORS (see page 15)