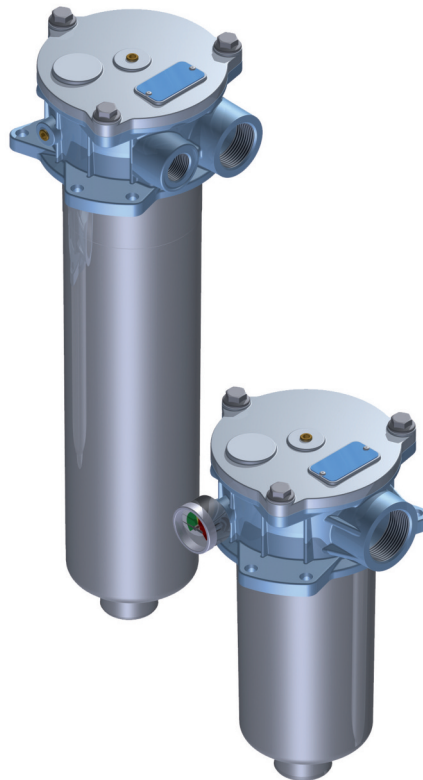


News

Return filter

Filter type

Old MPF 180/190 - New MPF 181/191

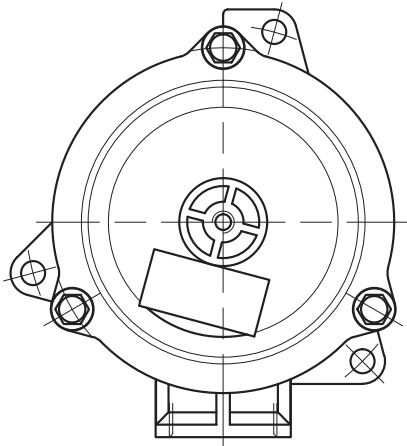
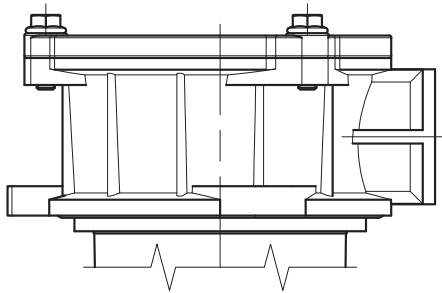
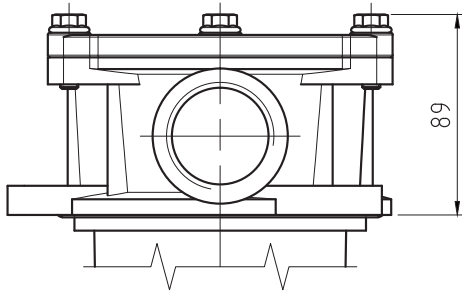


Presentation of new filters:

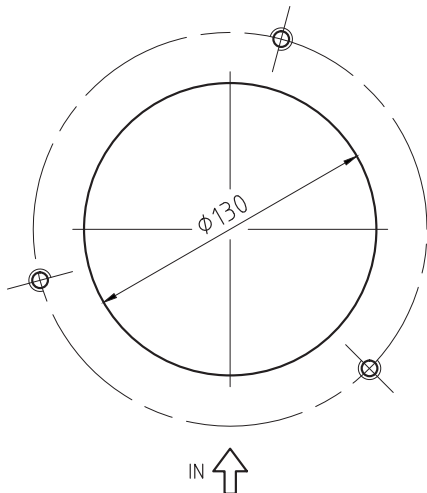
- 1. Comparative drawings**
- 2. Ordering code**
- 3. Differences**
- 4. Benefits**

1. Comparative drawings

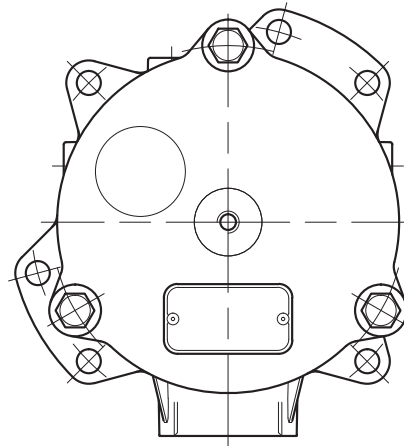
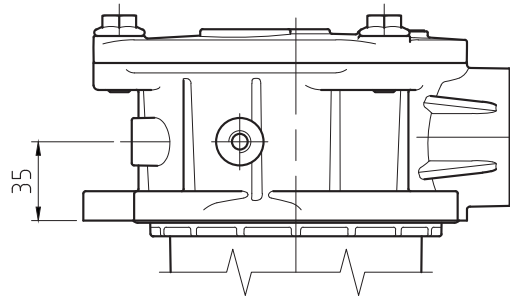
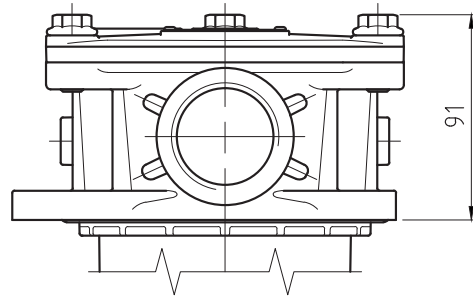
OLD MPF 180/190



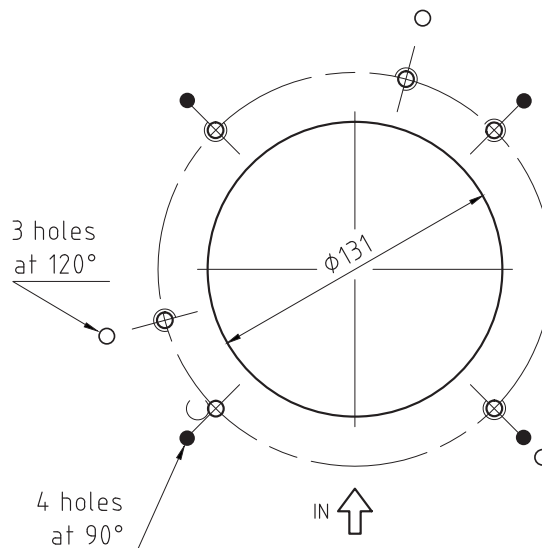
3 holes assembly



NEW MPF 181/191



Options for 3 or 4 holes assembly



2. Ordering code

No difference identification on ordering code between the Old MPF 180-190 and New MPF 181-191 excluding identification number 181-191

Filter assembly	1	2	3	4	5	6	7	9 a
MPF	<input type="checkbox"/>	<input type="checkbox"/>	<input type="checkbox"/>	<input type="checkbox"/>	<input type="checkbox"/>	<input type="checkbox"/>	<input type="checkbox"/>	<input type="checkbox"/>
Example 1: MPF	181	1	A	G1	A06	H	E	P01
Example 2: MPF	191	2	A	G1	P10	N	B	P01

Filter element	1	2	5	6	7	8	9b
MF	<input type="checkbox"/>	<input type="checkbox"/>	<input type="checkbox"/>	<input type="checkbox"/>	<input type="checkbox"/>	<input type="checkbox"/>	<input type="checkbox"/>
Example 1: MF	180	1	A06	H	B	E	P01
Example 2: MF	190	2	P10	N	B		P01

1 - Style

Filter	Filter element
<input type="checkbox"/> 181	<input type="checkbox"/> 180
<input type="checkbox"/> 191	<input type="checkbox"/> 190

2 - Filter length

<input type="checkbox"/> 181	<input type="checkbox"/> 1	<input type="checkbox"/> 2
<input type="checkbox"/> 191	<input type="checkbox"/> 2	<input type="checkbox"/> 2

3 - Filter seals & Treatment

<input type="checkbox"/> A	NBR
<input type="checkbox"/> V	FPM
<input type="checkbox"/> W*	NBR, head anodized
<input type="checkbox"/> Z*	FPM, head anodized
<input type="checkbox"/> B	NBR, flat seal on head
<input type="checkbox"/> D	FPM, flat seal on head
<input type="checkbox"/> L	NBR, flat seal on head, head anodized
<input type="checkbox"/> M	FPM, flat seal on head, head anodized

4 - Connections A

MPF 181 - 191

Type 1	T	Type 2	T	A
G1		C1	G 1/8"	G 1 1/4"
G4	Ind. port not mach.	C4	1/8" NPT	1 1/4" NPT
G7		C7	1/8" NPT	SAE 20 - 15/8" - 12 UN

5 - Filter element

<input type="checkbox"/> A03	Inorganic microfibre 3 µ	Absolute filtration βx (c) ≥ 1000
<input type="checkbox"/> A06	Inorganic microfibre 6 µ	
<input type="checkbox"/> A10	Inorganic microfibre 10 µ	
<input type="checkbox"/> A16	Inorganic microfibre 16 µ	
<input type="checkbox"/> A25	Inorganic microfibre 25 µ	
<input type="checkbox"/> M25	Wire mesh	Nominal Filtration
<input type="checkbox"/> M60	Wire mesh	
<input type="checkbox"/> M90	Wire mesh	
<input type="checkbox"/> P10	Resin - Impregnated paper	Nominal Filtration
<input type="checkbox"/> P25	Resin - Impregnated paper	

6 - Δp Filter element

<input type="checkbox"/> N	Δp 10 bar (only for filter element type Pxx and Mxx)
<input type="checkbox"/> H	Δp 10 bar (only for filter element type Axx)
<input type="checkbox"/> W*	Δp 10 bar (only for filter element type Axx and Mxx)

7 - Filter element seal

<input type="checkbox"/> B	NBR
<input type="checkbox"/> V	FPM

8 - By-pass valve

<input type="checkbox"/> E	3 bar
<input type="checkbox"/> B	1.75 bar (Omit in the element code - only for 1.75 bar)

9 - Option

a) Filter

<input type="checkbox"/> P01	MP Filtri standard
<input type="checkbox"/> Sxx	Filter assembly with steel extension tube mounted (only for (solo per MPF 191-192)

b) Filter element

<input type="checkbox"/> P01	MP Filtri standard
------------------------------	--------------------

* Compatible with fluid HFA, HFB, HFC



3. Differences

- Different geometry of the mounting flange to the tank
- 3 or 4 mounting holes on the flange connection to tank
- Connection options on the head for drains or clogging indicators
 - Screws of the lid from M8 to M10

4. Benefits

- Possible choice of fixing to the tank with 3 or 4 holes with a single product.
- Possibility to connect directly to the filter three drain hoses from 1/4" *.
- In the new series is available MPF181/191 the threaded connection 1 1/2" *.
- In the new series is available in the MPF model 182/192 a double connection *

***See full range catalogue on web site:**

**www.mpfiltri.com ==> "Products" ==> "Filter"
==> "Riturn filter" ==> "MPF"**

