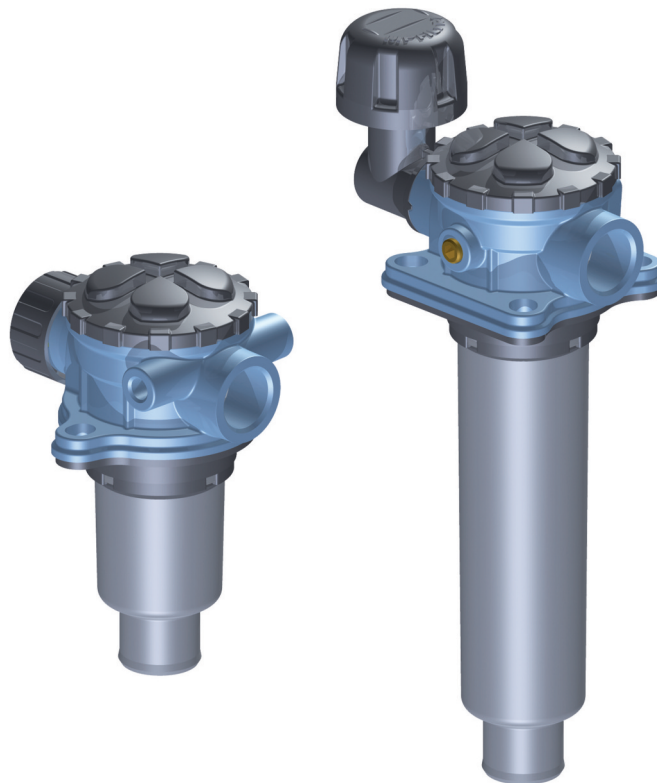


News
Return filter
Filter type

Old MPT 020-021-024

-
New MPT 025-027

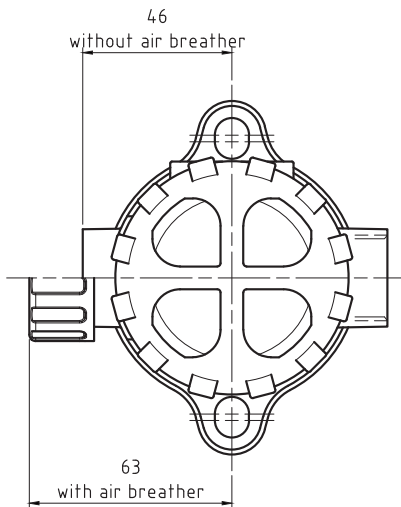
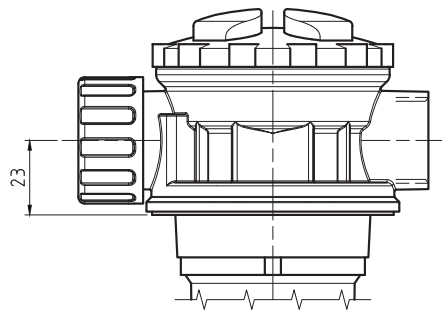
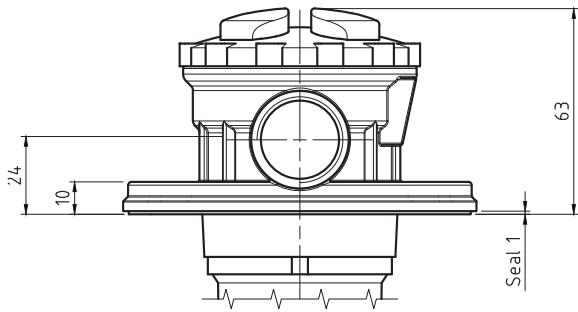


Presentation of new filters:

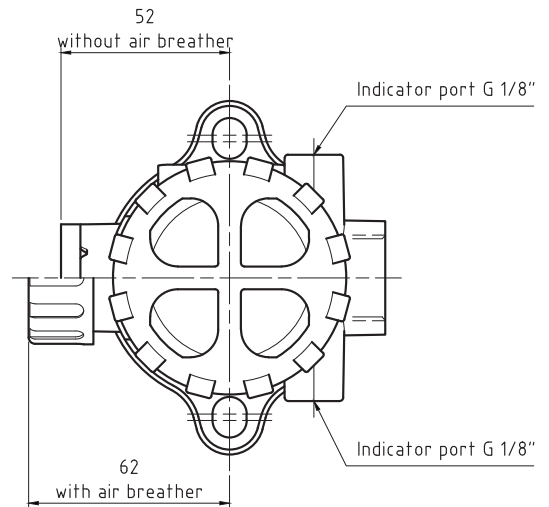
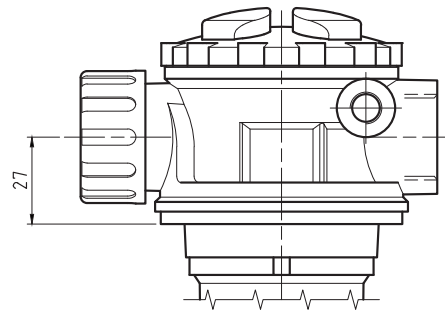
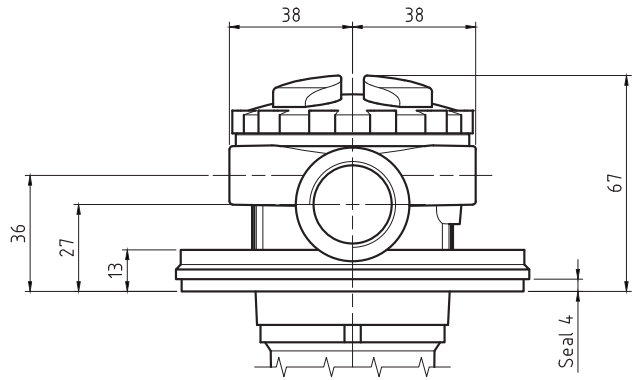
- 1. Comparative drawings**
- 2. Ordering code**
- 3. Differences**
- 4. Benefits**

1. Comparative drawings

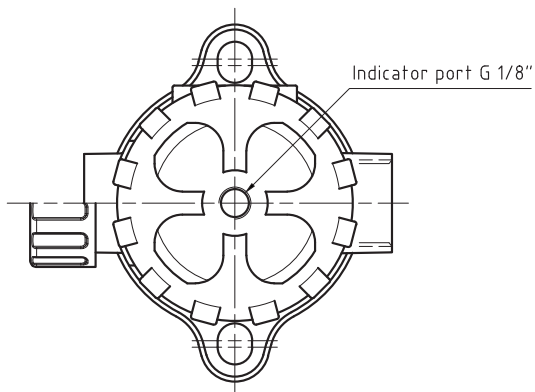
OLD MPT020



NEW MPT025

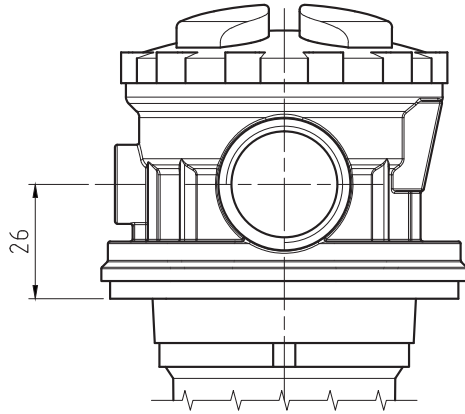


MPT 021

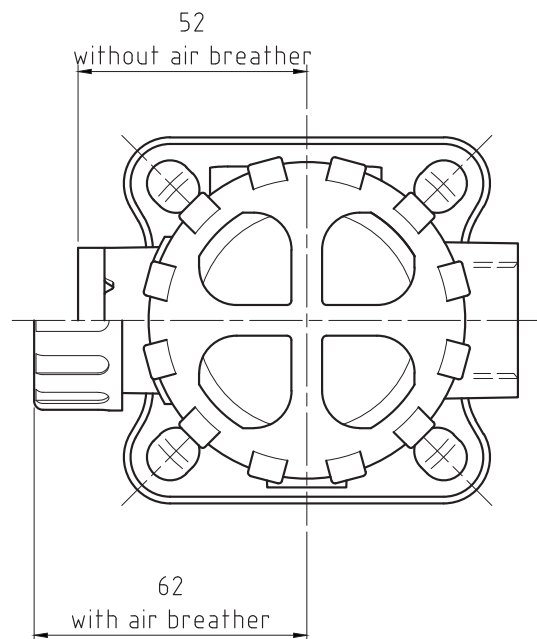
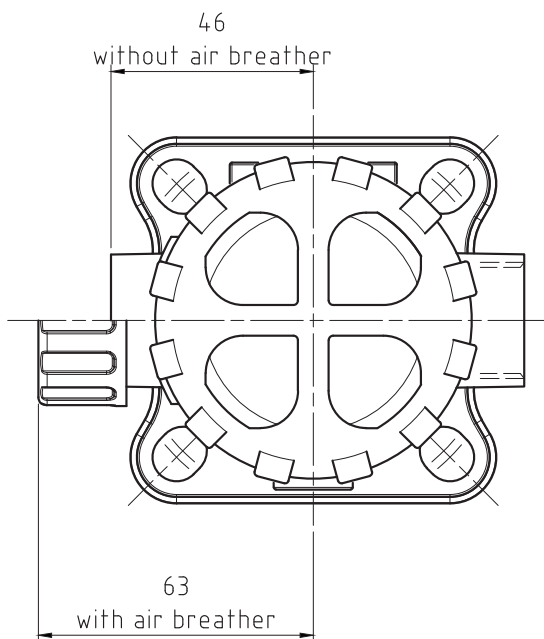
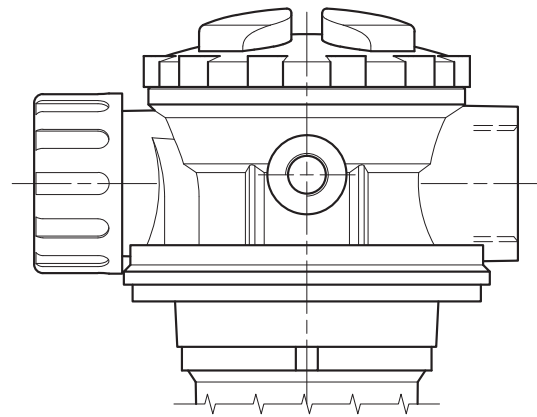
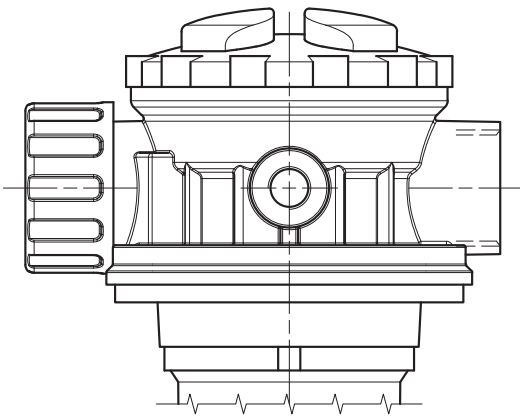
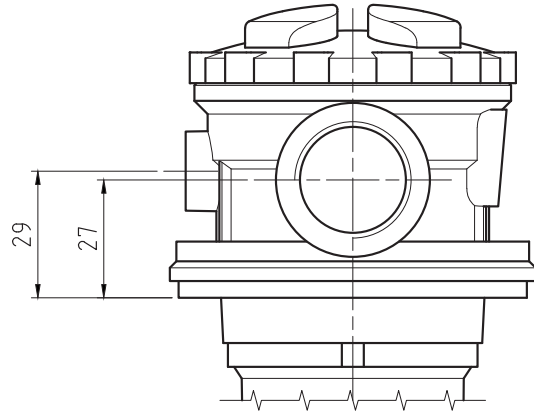


1. Comparative drawings

OLD MPT024



NEW MPT027



2. Ordering code

No difference in the identification of code order, between the Old MPT 020-021-024 and New MPT 025-027 with the exception of: Identification number 025.

Elimination of the air filtration cartridge 40 micron

Filter assembly	1	2	3	4	5	6	9	10
MPT	<input type="checkbox"/>	<input type="checkbox"/>	<input type="checkbox"/>	<input type="checkbox"/>	<input type="checkbox"/>	<input type="checkbox"/>	<input type="checkbox"/>	<input type="checkbox"/>
Example 1: MPT	025	2	D	A	G3	A06	E	P01

Filter element	1	2	6	7	8	9	10
MF	<input type="checkbox"/>	<input type="checkbox"/>	<input type="checkbox"/>	<input type="checkbox"/>	<input type="checkbox"/>	<input type="checkbox"/>	<input type="checkbox"/>
Example 1: MF	020	2	A06	H	B	E	P01

1 - Style

Filter	Filter element
<input type="checkbox"/> 025	<input type="checkbox"/> 020
<input type="checkbox"/> 027	<input type="checkbox"/> 020

2 - Filter length

<input type="checkbox"/> 025	<input type="checkbox"/> 1	<input type="checkbox"/> 2	<input type="checkbox"/> 3
<input type="checkbox"/> 027	<input type="checkbox"/> 1	<input type="checkbox"/> 2	<input type="checkbox"/> 3

3 - Air breather

<input type="checkbox"/> S	Without air breather
<input type="checkbox"/> C	(4) With air breather 10 μ

4 - Filter seals & Treatment

<input type="checkbox"/> A	NBR
<input type="checkbox"/> V	FPM
<input type="checkbox"/> W	NBR, Head anodized - filter element compatible with fluid HFA, HFB, HFC (only for filter element type Axx and Mxx)
<input type="checkbox"/> Z	FPM, Head anodized - filter element compatible with fluid HFA, HFB, HFC (only for filter element type Axx and Mxx)

5 - Connections

Type	MPT 025-027
G1	G 3/8"
G2	G 1/2"
G3	G 3/4"
G4	3/8" NPT
G5	1/2" NPT
G6	3/4" NPT
G7	SAE 6 - 9/16" - 18 UNF
G8	SAE 8 - 3/4" - 16 UNF
G9	SAE 12 - 1 1/16" - 12 UN

6 - Filter element

<input type="checkbox"/> A03	Inorganic microfibre 3 μ	} Absolute filtration $\beta_x(c) \geq 1000$
<input type="checkbox"/> A06	Inorganic microfibre 6 μ	
<input type="checkbox"/> A10	Inorganic microfibre 10 μ	
<input type="checkbox"/> A16	Inorganic microfibre 16 μ	
<input type="checkbox"/> A25	Inorganic microfibre 25 μ	
<input type="checkbox"/> M25	Wire mesh	} Nominal Filtration
<input type="checkbox"/> M60	Wire mesh	
<input type="checkbox"/> M90	Wire mesh	
<input type="checkbox"/> P10	Resin - Impregnated paper	} Nominal Filtration
<input type="checkbox"/> P25	Resin - Impregnated paper	

7 - Δp Filter element

<input type="checkbox"/> N	Δp 10 bar (only for filter element type Pxx and Mxx)
<input type="checkbox"/> H	Δp 10 bar (only for filter element type Axx)
<input type="checkbox"/> W*	Δp 10 bar (only for filter element type Axx and Mxx)

8 - Filter element seals

<input type="checkbox"/> B	NBR
<input type="checkbox"/> V	FPM

9 - By-pass valve

<input type="checkbox"/> E	3 bar
<input type="checkbox"/> B	1.75 bar (Omit in the element code - only for 1.75 bar)

10 - Option

<input type="checkbox"/> P01	MP Filtri standard
------------------------------	--------------------

* Compatible with fluid HFA, HFB, HFC



3. Differences

- Double connection for clogging indicator on the head
 - Changing the air filter size
 - Only air filtration cartridge 10 micron
- Changing the thickness of gasket between cylinder head and tank cover
- Position the clogging indicator, from axial on the cover (MPT 021) in the radial to head (MPT 025)
 - Filter MPT 025 with the connection air filter always worked. For models where the air filter is not required, the connection is closed by a plug and its o-ring fixed with a screw

4. Benefits

- Deleting of one filter code, in the old series, the indicator was only possible on the MPT 021 version, the MPT 020 version was devoid of connections. The new MPT 025 is equipped with two opposite connections from 1/8 "plugged, where to install the indicator.
- The new MPT 025, have the air filter with flow capacity, increased by 100%, with the possibility of elimination of additional air filters from the tanks, reduction of items used on the tank and reduction of cost.
- New flat gasket between head and tank with a thickness of 4 mm., to better guarantee of hydraulic seal surfaces with imperfect flatness.
- Thanks to the work of the connection of air filter like series, with the possible purchase the special kit you can turn the product from without air filter.to a filter with air filtera.
- Possibility to install air filter in a vertical position, which is useful to prevent oil leaks on mobile applications *.
- Possibility to installation of the air filter with valve pressurization *.

***See full range catalogue on web site:**

**www.mpfiltri.com ==> "Products" ==> "Filter"
==> "Riturn filter" ==> "MPT"**

