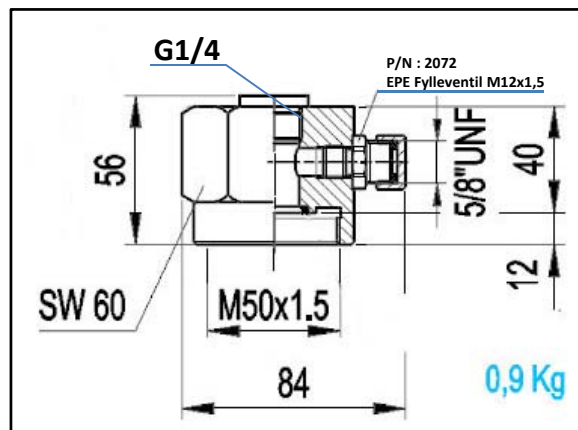
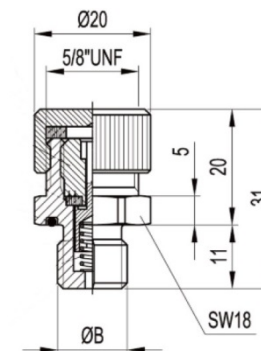


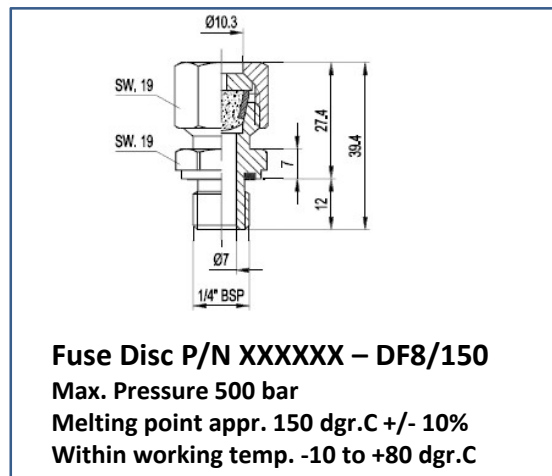
Adaptor for bladder acc. 0,7 to 5 litres
Steel P/N : 746000 - TG22T2V-CP
Stainless P/N : 746002 - TG22T2VX-XP



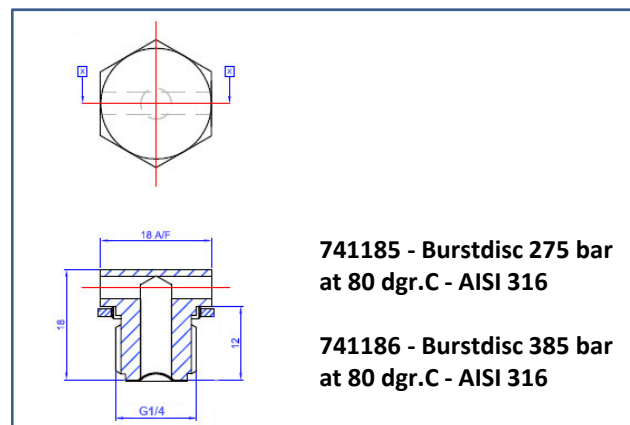
Adaptor for bladder acc. 10 to 55 litres
Steel P/N : 745999 - TG50T2V-CP
Stainless P/N : 746001 - TG50T2VX-XP



P/N 2072 – Filling valve
P/N 2072X – Filling valve stainless

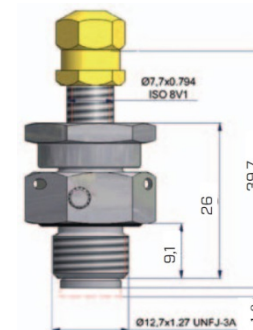


Fuse Disc P/N XXXXXX – DF8/150
Max. Pressure 500 bar
Melting point appr. 150 dgr.C +/- 10%
Within working temp. -10 to +80 dgr.C



741185 - Burstdisc 275 bar
at 80 dgr.C - AISI 316

741186 - Burstdisc 385 bar
at 80 dgr.C - AISI 316



24140 - Gas valve, stainless, 1/2"-
20 UNF - 5/16-32 UNF