

CPU - CYCLONE POWER UNIT

SAVING SPACE, MONEY AND THE ENVIRONMENT

CYCLONE POWER UNIT

- Boost suction pressure
- Forced deaeration of oil
- Reduced environmental impact
- High power density ratio
- Standard design with 2, 3 or 4 pumps
- Short lead time
- Simple and solid
- Economical

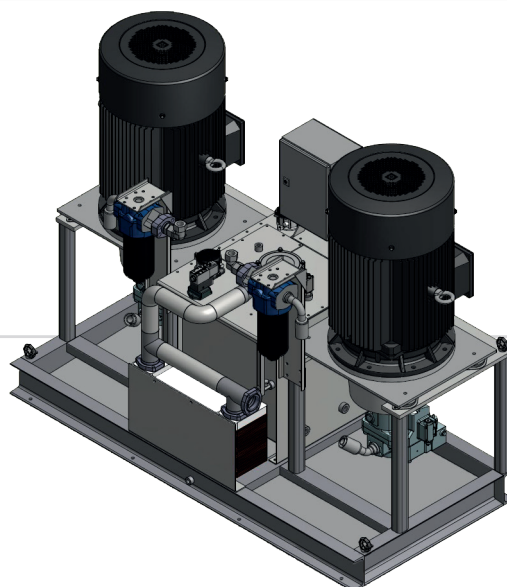


Image shows a 2 station CPU, with pump capacity of 2*240 l/min and with only 350 liter oil reservoir.

