

VBU Series (Bellows & Universal)

Feature and strengths

- Particularly good for use on curved surface and for separating thin sheets of materials in stacks.
- The bellows cup is very good at compensating for a degree of difference in level and curvature of the work piece, more angular and level compensation can be achieved by using other **VMECA** cup
- Enhancing the adhesion to the surface



Suitable for handling

- Concaved surface
- Sheet metal
- Carton box
- Plastic pack
- Plywood



Order No.

VBU45 PU - 18F



① Suction cup Ø

| | |
|----------------|-------|
| VBU35 | - Ø35 |
| • VBU45 | - Ø45 |
| VBU55 | - Ø55 |

② Material

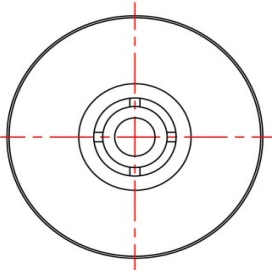
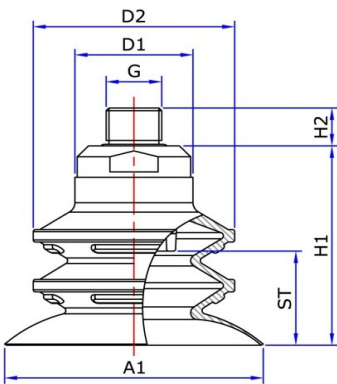
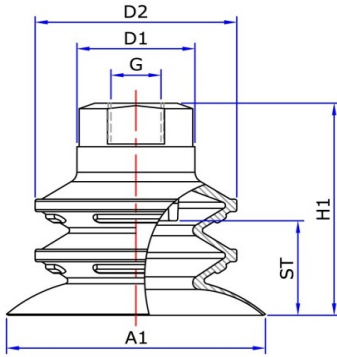
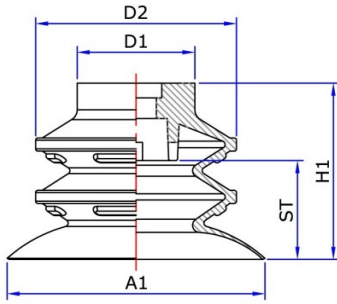
| | | |
|-------------|---------------------------|-----|
| N | - NBR | NEW |
| S | - Silicon | NEW |
| WS | - White Silicon | NEW |
| • PU | - Poly Urethane | |
| | WPU - White Poly Urethane | |

③ Thread size

| | |
|--------------|---|
| 18M | - G1/8" Male (VBX 35, VBX45) |
| • 18F | - G1/8" female (VBX 35, VBX45, VBX55) |
| 14M | - G1/4" Male (VBX 35, VBX45, VBX55) |
| 38M | - G3/8" Male (VBX 35, VBX45, VBX55) |
| N18M | - NPT 1/8" Male (VBX 35, VBX45) |
| NF18F | - NPSF 1/8" female (VBX 35, VBX45, VBX55) |
| N14M | - NPT 1/4" Male (VBX 35, VBX45, VBX55) |
| N38M | - NPT 3/8" Male (VBX 35, VBX45, VBX55) |
| M10M | - M10xP1.5 male (VBX 35, VBX45, VBX55) |

Technical Data

| Model | Volume (cm ³) | Perpendicular lifting force (kg) at vacuum level | | |
|--------|---------------------------|--|---------|---------|
| | | -20 kPa | -60 kPa | -90 kPa |
| VBU 35 | 6.2 | 2.26 | 4.28 | 5.75 |
| VBU 45 | 12.5 | 4.08 | 7.3 | 10 |
| VBU 55 | 28 | 7.5 | 9.8 | 12.05 |



| Model | A1 | H1 | ST | D1 | D2 |
|-------|------|------|----|------|------|
| VBU35 | 35.5 | 24.5 | 12 | 20.5 | 27.5 |
| VBU45 | 45.5 | 32 | 16 | 20.5 | 35.5 |
| VBU55 | 56 | 38 | 20 | 27 | 46.5 |

[Measure Unit : mm]

| Model | A1 | G | H1 | ST | D1 | D2 |
|------------------|------|------------------|------|----|------|------|
| VBU35 .. - 18F | 35.5 | G1/8" female | 31.5 | 12 | 20.5 | 27.5 |
| VBU35 .. - NF18F | | NPSF 1/8" female | 31.5 | | | |
| VBU45 .. - 18F | 45.5 | G1/8" female | 40 | 16 | 20.5 | 35.5 |
| VBU45 .. - NF18F | | NPSF 1/8" female | 40 | | | |
| VBU55 .. - 18F | 56 | G1/8" female | 46 | 20 | 27 | 46.5 |
| VBU55 .. - NF18F | | NPSF 1/8" female | 46 | | | |

[Measure Unit : mm]

| Model | A1 | G | H1 | H2 | ST | D1 | D2 |
|----------------|---------------|---------------|------------|------|------|------|------|
| VBU35.. - 18M | 35.5 | G1/8" Male | 29.3 | 7 | 12 | 20.5 | 27.5 |
| VBU35.. - 14M | | G1/4" Male | 29.3 | 9 | | 20.5 | |
| VBU35.. - 38M | | G3/8" Male | 31 | 9.5 | | 21.5 | |
| VBU35.. - N18M | | NPT 1/8" Male | 29.3 | 7 | | 20.5 | |
| VBU35.. - N14M | | NPT 1/4" Male | 29.3 | 9 | | 20.5 | |
| VBU35.. - N38M | | NPT 3/8" Male | 31 | 9.5 | | 21.5 | |
| VBU35.. - M10M | | M10XP1.5 Male | 31.5 | 13 | | 20.5 | |
| VBU45.. - 18M | | 45.5 | G1/8" Male | 37.8 | | 7 | |
| VBU45.. - 14M | G1/4" Male | | 37.8 | 9 | 20.5 | | |
| VBU45.. - 38M | G3/8" Male | | 39.5 | 9.5 | 21.5 | | |
| VBU45.. - N18M | NPT 1/8" Male | | 37.8 | 7 | 20.5 | | |
| VBU45.. - N14M | NPT 1/4" Male | | 37.8 | 9 | 20.5 | | |
| VBU45.. - N38M | NPT 3/8" Male | | 39.5 | 9.5 | 21.5 | | |
| VBU45.. - M10M | M10XP1.5 Male | | 40 | 13 | 20.5 | | |
| VBU55.. - 14M | 56 | | G1/4" Male | 46 | 9 | 20 | 27 |
| VBU55.. - 38M | | G3/8" Male | 46 | 10 | | | |
| VBU55.. - N14M | | NPT 1/4" Male | 46 | 9 | | | |
| VBU55.. - N38M | | NPT 3/8" Male | 46 | 10 | | | |
| VBU55.. - M10M | | M10XP1.5 Male | 46 | 13 | | | |

[Measure Unit : mm]



Germany

Vtec Vakuumtechnik GmbH
 Häfnerstraße 28
 D-72631 Achital-Neuenhaus, Deutschland
 Tel. +49(0)7127-8115730
 Fax. +49(0)7127-8115731
<http://www.vmecca.com>
 e-mail : vtec@vmecca.com

Asia

VTEC / KPS Co., Ltd.
 501-5, Doksan-dong,
 Geumcheon-gu, Seoul, Korea
 Tel: +82-2-2617-5008 (Rep.)
 Fax: +82-2-2617-5009
<http://www.vmecca.com>
 e-mail: vmecca@vmecca.com

USA

VtecUSA Inc.
 1305 N. San Gabriel Bl., #203,
 South San Gabriel, CA 91770
 Tel: +1-213-258-7114 (Rep.)
 Fax: +1-626-569-9978
<http://www.vtecusa.com>
 e-mail: infousa@vmecca.com