

30 Nm

Medium Duty Window Wiper

Ideal for average speed vessels with medium sized windows

Specifications

Standard Details 2 Speed; Self Parking; Insulated Earth Return; 12v and 24v

Angles of Arc - Fixed

Pantograph Units 25° to 90° (in 5° increments only)

Pendulum Units 25° to 115° (in 5° increments only)

Angles of Arc - Variable

Pantograph Units 35°, 40°, 45°, 50°, 55°, 60°, 70°, 80°, 90°

Pendulum Units 35°, 40°, 45°, 50°, 55°, 60°, 70°, 80°, 90°, 100°, 110°, 120°

Spindle Centres Between Drive Liner & Idler = 50mm
Pantograph Units only

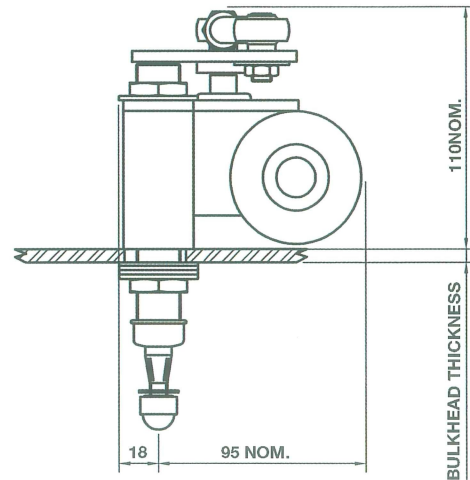
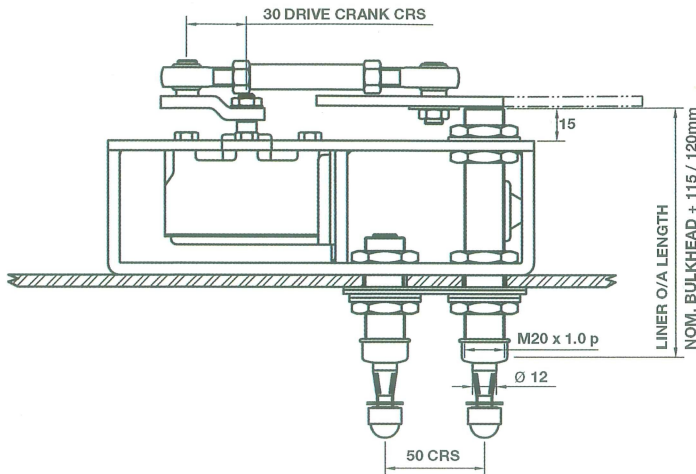
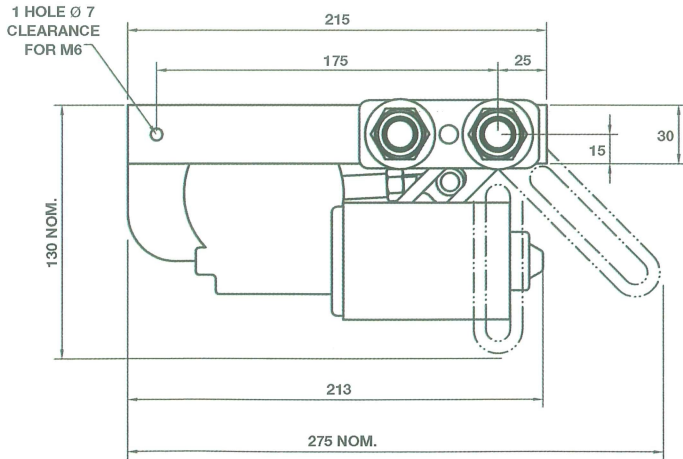
Drive Liner M20 - Brass Liner / 12mm SS Spindle
Pantograph & Pendulum Units

Idler Liner M20 - Brass Liner / 12mm SS Spindle
Pantograph Units only

Liner Overall Length Bulkhead Thickness + 120mm
Liners over 125mm are available at extra cost

Bracket C - Compact Bracket

Unit Weight Allowing for the maximum arm and blade lengths; 4Kgs (8.8lbs)



Wiper Arms and Blades

■ Pantograph Arms

P613 Medium Duty
Lengths 12" to 28" (310mm to 710mm) nom
Drive Head 12mm
Blade Clip 14mm

■ Pendulum Arms

F63 Medium Duty
Lengths 12" to 28" (310mm to 710mm) nom
Drive Head 12mm
Blade Clip 14mm

■ Blades

B140 Curved Blade
Lengths 12" to 24" (310mm to 610mm) nom
For use with arm types:
Pendulum F63
Pantograph P614



B. HEPWORTH AND COMPANY LIMITED

Hepworth House, Brook Street, Redditch, Worcestershire B98 8NF
T +44 (0)1527 61243 **F** +44 (0)1527 66836 **E** bhepworth@b-hepworth.com

www.b-hepworth.com