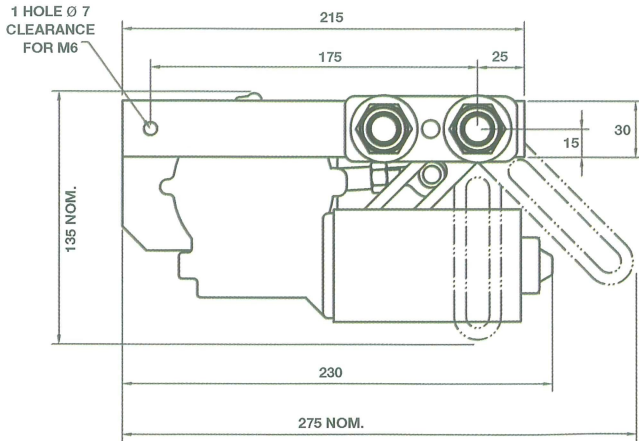


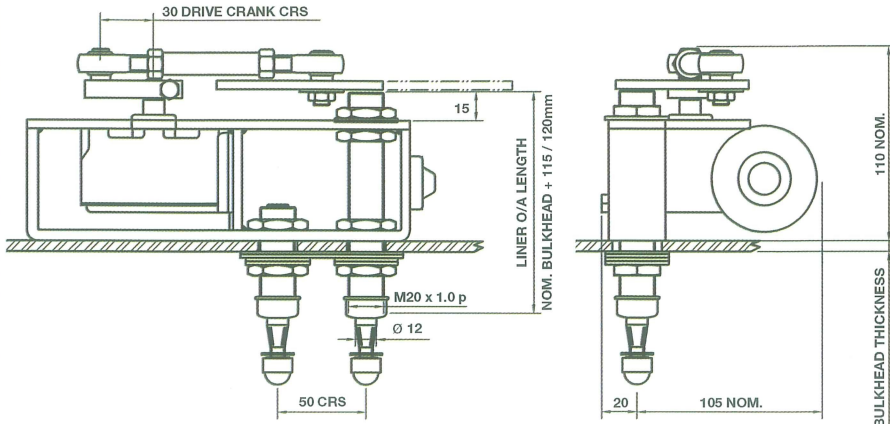
50 Nm Heavy Duty Window Wiper

Ideal for average to high speed vessels

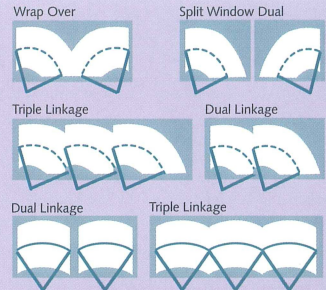


Specifications

Standard Details	2 Speed; Self Parking; Insulated Earth Return; 12v and 24v
Angles of Arc - Fixed	
Pantograph Units	25° to 90° (in 5° increments only)
Pendulum Units	25° to 115° (in 5° increments only)
Angles of Arc - Variable	
Pantograph Units	35°, 40°, 45°, 50°, 55°, 60°, 70°, 80°, 90°
Pendulum Units	35°, 40°, 45°, 50°, 55°, 60°, 70°, 80°, 90°, 100°, 110°, 120°
Spindle Centres	Between Drive Liner & Idler = 50mm Pantograph Units only
Drive Liner	M20 - Brass Liner / 12mm SS Spindle Pantograph & Pendulum Units
Liner Overall Length	Bulkhead Thickness + 120mm Liners over 125mm are available at extra cost
Idler Liner	M20 - Brass Liner / 12mm SS Spindle Pantograph Units only
Bracket	C - Compact Bracket
Unit Weight	Allowing for the maximum arm and blade lengths; 4Kgs (8.8 lbs)



50Nm Linkage configurations



When very wide or multiple windows are to be swept we offer a comprehensive range of swept area solutions utilising the 50Nm drive unit operating either two or three arms and blades off one motor. This offers customers the benefit of simpler installations as well as cost saving.

Wiper Arms and Blades

■ Pantograph Arms

P615	Medium Duty
Lengths	12" to 34" (310mm to 860mm) nom
Drive Head	12mm
Idler Head	12mm
Blade Clip	14mm
P620	Medium Duty
Lengths	12" to 34" (310mm to 860mm) nom
Drive Head	12mm
Blade Clip	20mm

■ Pendulum Arms

F63	Medium Duty
Lengths	12" to 34" (310mm to 860mm) nom
Drive Head	12mm
Blade Clip	14mm
F73	Medium Duty
Lengths	12" to 34" (310mm to 860mm) nom
Drive Head	12mm
Blade Clip	20mm

■ Blades

B140	Curved Blade
Lengths	12" to 28" (310mm to 710mm) nom
For use with arm types:	
Pendulum	F63
Pantograph	P615
B140	Curved Blade
Lengths	32" (810mm), nom
For use with arm types:	
Pendulum	F73
Pantograph	P620



B. HEPWORTH AND COMPANY LIMITED

Hepworth House, Brook Street, Redditch, Worcestershire B98 8NF
T +44 (0)1527 61243 **F** +44 (0)1527 66836 **E** bhepworth@b-hepworth.com

www.b-hepworth.com