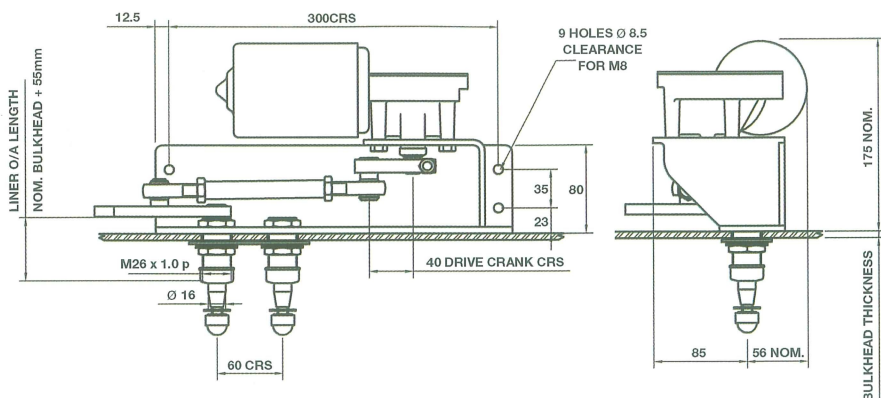
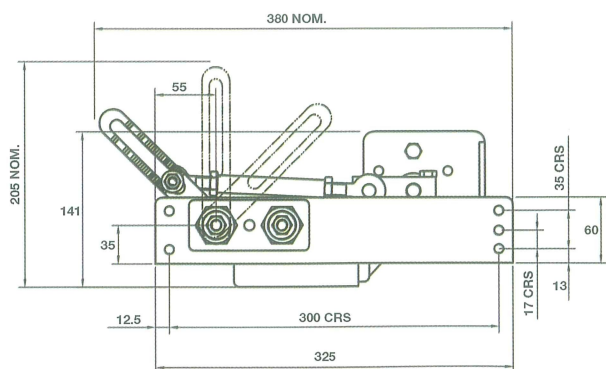


80 Nm

Extra Heavy Duty Window Wiper

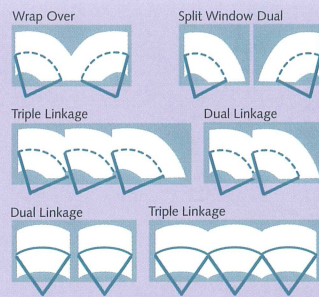
Low voltage systems ideal for average to high speed vessels



Specifications

| | |
|--------------------------|--|
| Standard Details | 2 Speed; Self Parking; Insulated Earth Return; 12v and 24v |
| Angles of Arc - Fixed | |
| Pantograph Units | 25° to 90° (in 5° increments only) |
| Pendulum Units | 25° to 115° (in 5° increments only) |
| Angles of Arc - Variable | |
| Pantograph Units | 40° to 90° (in 5° increments only) |
| Pendulum Units | 40° to 90° (in 5° increments only) |
| Spindle Centres | Between Drive Liner & Idler = 60mm Pantograph Units only |
| Drive Liner | M26 - Brass Liner / 16mm SS Spindle Pantograph & Pendulum Units |
| Liner Overall Length | Bulkhead Thickness + 55mm |
| Idler Liner | M20 - Brass Liner / 16mm SS Spindle Pantograph Units only |
| Bracket | C - Compact Bracket |
| Unit Weight | Allowing for the maximum arm and blade lengths; 8Kgs (17.6 lbs) |

80Nm Linkage configurations



When very wide or multiple windows are to be swept we offer a comprehensive range of swept area solutions utilising the 80Nm drive unit operating either two or three arms and blades off one motor. This offers customers the benefit of simpler installations as well as cost saving.

Wiper Arms and Blades

■ Pantograph Arms

P84 Heavy Duty
Lengths 24" to 60" (610mm to 1525mm) nom
Drive Head 16mm
Blade Clip 14mm & 20mm

■ Pendulum Arms

F80 Heavy Duty
Lengths 24" to 60" (610mm to 1525mm) nom
Drive Head 16mm
Blade Clip 14mm
F81 Heavy Duty
Lengths 24" to 60" (610mm to 1525mm) nom
Drive Head 16mm
Blade Clip 20mm

■ Blades

B140 Curved Blade
Lengths 12" to 28" (310mm to 710mm) nom
 For use with arm types:
Pendulum F80
Pantograph P84

B140 Curved Blade
Lengths 32" (810mm), 36" (915mm) & 39" (1000mm)
 For use with arm types:
Pendulum F81
Pantograph P84



B. HEPWORTH AND COMPANY LIMITED

Hepworth House, Brook Street, Redditch, Worcestershire B98 8NF
T +44 (0)1527 61243 **F** +44 (0)1527 66836 **E** bhepworth@b-hepworth.com

www.b-hepworth.com